



CAHIER 9426

SEQUENTIAL LOCATION EQUILIBRIA UNDER
INCOMPLETE INFORMATION

Marcel BOYER¹, Jean-Jacques LAFFONT²,
Philippe MAHENC³ and Michel MOREAUX⁴

- ¹ Département de sciences économiques and Centre de recherche et développement en économique (C.R.D.E.), Université de Montréal, Stephen A. Jarislowsky Professor of Technology and International Competition, École Polytechnique de Montréal and Centre interuniversitaire de recherche en analyse des organisations (CIRANO).
- ² Institut Universitaire de France; GREMAQ and IDEI, Université de Toulouse I, Toulouse, France.
- ³ GREMAQ, Université de Toulouse I, Toulouse, France.
- ⁴ GREMAQ and IDEI, Université de Toulouse I, Toulouse, France.

December 1994

We thank an anonymous referee for very helpful comments and also the seminar participants at GREQE (Marseille), Université de Montréal, UBC, HEC (Paris), in the Location Theory session of the World Congress of the Econometric Society (Barcelona) and in the Game Theory Conference at the University of Western Ontario for their comments. We remain solely responsible for the contents of this paper. Financial support from the Fonds FCAR (Québec), SSHRC (Canada) and CNRS (France) is gratefully acknowledged.

Ce cahier a également été publié au Centre de recherche et développement en économique
(C.R.D.E.) (publication no 3094).

Dépôt légal - 1994
Bibliothèque nationale du Québec
Bibliothèque nationale du Canada

ISSN 0709-9231

RÉSUMÉ

Nous proposons ici un modèle simple d'information incomplète en théorie de la localisation. Deux entreprises s'affrontent dans un contexte à deux étapes : une étape de localisation séquentielle et une étape de concurrence en prix. La firme 1 connaît sa technologie à coût marginal constant et celle de la firme 2, mais cette dernière n'a qu'une information imparfaite de la technologie de sa concurrente. La concurrence de première étape s'avère être un jeu de signal *monotone* et l'équilibre D1 unique est un équilibre séparateur en stratégies pures si l'avantage de coût de la firme 1 est relativement faible et, sinon, un équilibre mélangeant si la probabilité *a priori* que la firme 1 soit de type coût faible est élevée ou un équilibre semi-mélangeant si cette probabilité est faible. Ce résultat surprenant est dû au fait que l'écart de localisation entre les firmes est naturellement borné, ce qui peut empêcher la séparation des types. Ainsi, les localisations d'équilibre d'information incomplète diffèrent significativement des localisations d'équilibre d'information complète.

Mots-clés : localisation, information incomplète, équilibre bayésien parfait, raffinement D1.

ABSTRACT

We consider a simple model of incomplete information in location theory. Two firms compete in a two-stage framework: a sequential location stage and a price competition stage. Firm 1 knows both its own constant marginal cost technology and that of Firm 2, whereas the latter has incomplete information about Firm 1's technology. The location stage turns out to be a monotonic signaling game and the unique D1 equilibrium is a pure strategy separating equilibrium if Firm 1's cost advantage is below some bound and, otherwise, a pooling equilibrium if the prior probability that Firm 1 is of the low-cost type is high or a semi-pooling equilibrium, if it is low. This surprising result is due to the fact that the location gap between the two types of Firm 1 is bounded because of natural economic reasons, which may prevent the separation of the two types. Hence, incomplete information matters: the equilibrium locations differ quite significantly from the full information equilibrium locations.

Key words: location theory, incomplete information, perfect Bayesian equilibrium, D1 criterion.



1. INTRODUCTION

One important aspect of spatial competition has been neglected so far by location theorists, namely the incompleteness of the information structures. It is our objective in this paper, developing an analysis only sketched in [1], to fully characterize the set of perfect Bayesian equilibria when the source of incomplete information pertains to one entrepreneur's production conditions, namely cost, which are unobserved by the competitor.

We consider a spatial competition model fairly simple and standard but capable of addressing such a complex issue as incomplete information in location theory. Two firms compete in a two stage framework: a long run first stage of sequential location choices and a short run second stage of simultaneous choices of delivered price schedules made once the locations chosen are observed. Firm 1 is assumed to have a superior information structure in the following sense. It knows both its own technology and that of Firm 2, whereas the latter knows its own technology and has incomplete information about what the first mover firm's technology is. The location space is represented by an interval over which there is a continuum of consumers uniformly distributed. This way of modeling spatial competition under incomplete information may be justified as follows. First, location choices are typically long run decisions, while pricing decisions are typically short run decisions. It is therefore reasonable to model competition over both locations and prices as a two stage competition, the second stage or short run stage coming into play once the long run decisions have been made and observed by both firms. Modeling the space of locations as a linear segment stems from the fact that in the alternative basic space used in location theory, that is, a circular market with a uniform density of identical consumers and transportation costs depending only on the distance between the consumer and the firm, the choice of location by the informed firm cannot provide useful information to the uninformed firm, since any location is a perfect replication of any other one (see [5], [9], and [10] for recent surveys). To make the circular model amenable to signaling possibilities, one could make the distribution of consumers non-uniform. But for analytical purposes, it would then become isomorphic to the line segment. Hence, the segment with a uniform density of identical consumers is the simplest spatial structure allowing signaling. We model the short run pricing competition as a Bertrand competition on delivered price schedules for two reasons. First, it allows us to avoid the problem of existence of equilibrium encountered in the case of mill pricing (see [4]) and to concentrate our efforts on the incomplete information in the long run stage and second, it is a non-negligible aspect of many empirical situations. Lederer and Hurter [11] refer to such price schedules as discriminatory pricing through the absorption of transportation costs; they claim it is typical, in oligopolistic markets, of goods with low value relative to the transportation costs and low price elasticity of demand such as cement, plywood, fertilizer, sugar, etc. On competition in delivered price schedules, see also [2], [6], [7], and [13].

The one-sided information structure we consider, namely a better informed first mover who may or may not have a cost advantage on the second mover, represents one of many possible incomplete information structures, other possibilities being, for instance, a better informed second mover and a two-sided incomplete information. Making the second mover better informed would rule out the possibility of signaling. The information structure we consider here has the advantage of simplicity, a desirable property for an introduction of incomplete information in location theory, and corresponds also to many practical situations.

The main results of this paper are as follows. The first stage location game turns out to be a monotonic signaling game as defined by Cho and Sobel [3] for which equilibrium refinement D1 selects a unique perfect Bayesian equilibrium. We will be able to characterize the type of D1 equilibrium arising under all possible values of the parameters of the model, namely the cost advantage of the first mover and the priors. We will show that when the cost differential is below some bound, the only D1 equilibrium is a pure strategy separating equilibrium. But for values of the cost discrepancy above this bound, the D1 equilibrium will not be a separating equilibrium. This might seem surprising at first sight because one might have expected that for large cost differences, it would be easier for the low cost first mover to differentiate itself from its high cost twin. But in a spatial context such as the present one, the location gap between the two types of Firm 1 is bounded because of natural economic reasons, preventing the separation of the two types. Hence, the equilibria robust to D1 may be either pooling equilibria or semi-pooling equilibria according to whether the prior probability, that Firm 1 is of the low cost type, is high or low. Hence, incomplete information matters: the equilibrium locations so predicted may be quite different from the full information equilibrium locations. In [1], we examined, using the same model, the case in which the firms play only pure strategies, thus excluding those equilibria which are intrinsically mixed strategy equilibria such as the semi-separating equilibria. We worked with Cho and Kreps' intuitive criterion in order to discriminate among the equilibria. This criterion, weaker than D1, fails to eliminate all the pooling equilibria but one. It can be shown also that it is not very efficient in the selection of semi-separating equilibria.

The paper is organized as follows. Section 2 introduces the model. In Section 3, we give the definitions of the perfect Bayesian equilibrium (PBE). Section 4 presents the D1 equilibrium refinement concept, the limit posterior probability function and the review of the basic results of Cho and Sobel on strategic stability in monotonic signaling games. We characterize in section 5 the whole set of PBE and identify those which are robust to refinement D1. We briefly conclude in section 6.

2. THE MODEL

Let us denote by $i = 1, 2$ the two competing firms: Firm 1 being the first mover and Firm 2, the

follower. Each firm can produce at some constant average (hence marginal) cost the same basic product, whatever its location. The average production cost of Firm 1 is commonly known to be either $c - \alpha$ with probability π or c with the complementary probability $1 - \pi$, where $c > 1/2$ and $\alpha \in (0, 1/2)$. As for Firm 2 its constant average cost is c . Firm 1 knows before choosing its own location which production cost (which type) $\theta \in \{c - \alpha, c\}$ it will have at the production stage. The transportation costs are the same for both firms: each firm must support a cost dq to deliver q units to customers located at a distance d from its own plant. Both firms compete in delivered prices.

Consumers are spread evenly on the interval $[0, 1]$ with a density of 1. Each consumer demands inelastically one unit of the basic good produced by any one of the two firms, provided that its delivered price not be higher than some reservation value r , which is the same for all the consumers on the segment line. We will assume that $r > 1 + c$ so that each firm could get some part of the market, whatever the locations and the type θ of Firm 1, when both are charging delivered prices equal to their full unit costs, production plus transportation costs. We will also assume as in [11] that if a consumer is charged the same price by both firms, he will then buy from the supplier who makes the highest profit on his demand. Remember that at the production or market stage of the game the true cost of Firm 1 is known. If both firms are making the same profit on its purchase, then a consumer will buy from either one with an arbitrary probability, say $\gamma \in (0, 1)$ from Firm 1. The exact value of γ does not play any role in the determination of the equilibrium.

At the first stage of the game, Firm 1 knowing its proper cost θ chooses some location on the segment line $[0, 1]$, which will be denoted by x_1 , the distance between the 0-end of the segment and the plant location. Observing the location of Firm 1 but unaware of the true cost of its competitor, Firm 2 then chooses its own location x_2 , again the distance between the 0-end of the segment and its plant. After that, the true cost of Firm 1 is unveiled, a fairly standard modeling feature since Milgrom and Roberts [12] and a short cut for a whole revelation process of the true type of Firm 1.

At the second stage of the game, the two firms move simultaneously, competing in delivered prices. This second stage is a complete information game. The strategy of Firm i in this game is denoted by $p_i(\cdot, \cdot, \cdot)$, meaning that for locations x_1 and x_2 and for Firm 1's type θ , Firm i will charge a delivered price $p_i(x; x_1, x_2, \theta)$ to a consumer located at x . Under the above assumptions, it is shown in Hurter and Lederer [11] that the equilibrium of this game is given by:

$$p_i(x; x_1, x_2, \theta) = p(x; x_1, x_2, \theta) = \max\{\theta + |x - x_1|, c + |x - x_2|\}, i = 1, 2, \quad (1)$$

that is, the equilibrium strategies are the same for the two firms. Without loss of generality, we can suppose that Firm 1 is located on $[0, 1/2]$ and Firm 2 on $[x_1, 1]$. Hence at equilibrium the market is split into two areas: Firm 1 sells to those customers located in $[0, 1/2(x_1 + c - \theta + x_2))$, Firm 2 to the consumers located

in $(\frac{1}{2}(x_1 + c - \theta + x_2), 1]$, the consumers located precisely at $\frac{1}{2}(x_1 + c - \theta + x_2)$ being distributed between the two firms, the percentage that each one gets having no impact on its own profits.

Let $\Pi_i(x_1, x_2, \theta)$, $i = 1, 2$, be the profit of Firm i at the equilibrium of the second stage subgame:

$$\Pi_1(x_1, x_2, \theta) = \frac{1}{4}(x_2 - x_1)(3x_1 + x_2) + \delta(\theta)(\frac{1}{2}\alpha(x_1 + x_2) + \frac{1}{4}\alpha^2) \quad (2)$$

$$\Pi_2(x_1, x_2, \theta) = (x_2 - x_1)(1 - \frac{1}{4}(x_1 + 3x_2)) + \delta(\theta)(\frac{1}{2}\alpha(x_1 + x_2) - \alpha + \frac{1}{4}\alpha^2) \quad (3)$$

where

$$\delta(\theta) = \begin{cases} 0 & \text{if } \theta = c \\ 1 & \text{if } \theta = c - \alpha \end{cases} \quad (4)$$

From (2) and (3), we may determine the complete information subgame perfect equilibrium of the whole game. From $\Pi_2(x_1, x_2, \theta)$ we get $x_2(x_1, \theta)$, the best reply location function of Firm 2, if at the first stage, the proper cost of Firm 1 is common knowledge:

$$x_2(x_1, \theta) = \frac{1}{3}(2 + x_1 + \delta(\theta)\alpha) \quad (5)$$

Substituting $x_2(x_1, \theta)$ for x_2 in $\Pi_1(\cdot)$ gives Π_1 as a concave function of x_1 , and maximizing Π_1 on the interval $[0, \frac{1}{2}]$ gives the complete information equilibrium location of Firm 1 as a function of the cost discrepancy α :

$$x_1^* = x_1(\theta) = \min\{\frac{2}{3} + \delta(\theta)(\frac{4}{3}\alpha), \frac{1}{2}\}; \quad (6)$$

hence, after substitution in $x_2(x_1, \theta)$:

$$x_2^* = x_2(x_1^*, \theta) = \min\{\frac{4}{3} + \delta(\theta)(\frac{3}{3}\alpha), \frac{5}{6} + \delta(\theta)(\frac{1}{3}\alpha)\}. \quad (7)$$

As the cost advantage of Firm 1 increases, it moves nearer to the center of the market where it stays for $\alpha \geq \frac{1}{6}$. Also as α increases, Firm 2 moves to the right, being pushed at the extreme 1-end of the market when α approaches $\frac{1}{2}$. Should α be greater than $\frac{1}{2}$, then Firm 2 would be driven out of the market. Note, however, that the distance between the two firms first decreases when $\alpha < \frac{1}{6}$ and then increases when $\alpha > \frac{1}{6}$. But the market area of Firm 1 is always increasing. The border delimiting the two areas is given by:

$$x_B^*(\alpha) = \max\{\frac{3}{3}(1 + 2\alpha), \frac{2}{3}(1 + \alpha)\} \quad (8)$$

The equilibrium profits are:

$$\begin{aligned} \Pi_1(x_1^*, x_2^*, \theta) &= (1 - \delta(\theta))(1/8) \\ &\quad + \delta(\theta)[\eta(\alpha)(1/8(1 + 2\alpha)^2) + (1 - \eta(\alpha))(1/36(7 + 32\alpha + 16\alpha^2))] \end{aligned} \quad (9)$$

$$\begin{aligned} \Pi_2(x_1^*, x_2^*, \theta) &= (1 - \delta(\theta))(3/25) \\ &\quad + \delta(\theta)[\eta(\alpha)(3/25(1 - 3\alpha)^2) + (1 - \eta(\alpha))(1/12(1 - 2\alpha)^2)] \end{aligned} \quad (10)$$

where $\eta(\alpha)$ is defined as:

$$\eta(\alpha) = \begin{cases} 1 & \text{if } \alpha \leq 1/8 \\ 0 & \text{otherwise.} \end{cases} \quad (11)$$

3. THE PERFECT BAYESIAN EQUILIBRIA: DEFINITIONS

Since at the end of the first stage the true cost of Firm 1 is unveiled and the second stage subgame is solved according to (1), we may consider the sole first stage which appears as a signaling game. The signal here is the location choice of Firm 1 from which Firm 2 will try to infer the type of Firm 1 in order to locate itself optimally. We are therefore looking for a perfect Bayesian equilibrium (PBE) of the location choice game. Depending upon the parameters of the problem, that is, the prior π and the cost discrepancy α , there may be separating equilibria in which Firm 1's location reveals its type, pooling equilibria in which the location of Firm 1 is the same for both types and therefore reveals nothing regarding its production cost, and finally, semi-separating equilibria in which at least one type of Firm 1 chooses its location at random, sometimes revealing its type and sometimes choosing the same location as the other type. However, in this last case, contrary to the pooling case, Firm 2 gets additional information from observing the location common to both types.

A mixed strategy of Firm 1 is a mapping $\Psi_1(\cdot) : \Theta \rightarrow \mathcal{M}_1$, where $\Theta = \{c - \alpha, c\}$ is the set of types of Firm 1 and \mathcal{M}_1 the set of probability measures defined on $[0, 1/2]$. We will denote by $M_1(\cdot)$ a cumulative distribution for the location x_1 of Firm 1 and by $M_1(\cdot; \theta)$ the cumulative selected by $\Psi_1(\cdot)$ for θ . In the case of pure strategies, we simply denote the location decision function of Firm 1 by $x_1(\cdot) : \Theta \rightarrow X_1$, where $X_1 = [0, 1/2]$. We proceed similarly for Firm 2. From (5) we know that with complete information the most distant location from the 1-end of the segment, which would be chosen by Firm 2, is $x_2 = 2/3$. The incomplete information will not alter this bound, as shown by equation (12) below. Hence, we may restrict the support of \mathcal{M}_2 to the subsegment $[2/3, 1]$ without loss of generality. A mixed strategy of Firm 2 is a mapping $\Psi_2(\cdot) : X_1 \rightarrow \mathcal{M}_2$, where \mathcal{M}_2 is the set of probability measures defined on $X_2 = [2/3, 1]$. We will denote by $M_2(\cdot)$ a cumulative distribution for the location x_2 of Firm 2 and by $M_2(\cdot; x_1)$ the cumulative

distribution selected by $\Psi_2(\cdot)$ for x_1 . In the case of pure strategies, we simply denote the location decision function of Firm 2 by $x_2(\cdot) : X_1 \rightarrow X_2$. Finally, we need conditional distributions giving for each location in X_1 the posterior probability on Θ that Firm 2 will use in deciding its location. Let $\mu(\cdot|x_1)$ be the posterior probability on Θ , given that x_1 has been observed. For any probability measure \mathcal{M} , we denote by $\text{Supp } \mathcal{M}$ the support of \mathcal{M} , and for any function f , we denote by Rf the range of f .

A PBE is a triplet $\{\Psi_1^*(\cdot), \Psi_2^*(\cdot), \mu^*(\cdot|\cdot)\}$ such that:

- (i) $\forall \theta \in \Theta : \Psi_1^*(\theta) \in \arg \max_{M_1(\cdot)} \int_{X_1} \int_{X_2} \Pi_1(x_1, x_2, \theta) dM_2^*(x_2; x_1) dM_1(x_1)$;
- (ii) $\forall x_1 \in X_1 : \Psi_2^*(x_1) \in \arg \max_{M_2(\cdot)} \int_{X_2} \sum_{\theta \in \Theta} \mu^*(\theta|x_1) \Pi_2(x_1, x_2, \theta) dM_2(x_2; x_1)$;
- (iii) $\forall x_1 \in \cup_{\theta \in \Theta} \text{Supp } \Psi_1^*(\theta)$, $\mu^*(\cdot|x_1)$ is obtained by applying Bayes' rule to the prior distribution $(\pi, 1 - \pi)$, given that x_1 has been observed, otherwise $\mu^*(\cdot|x_1)$ is arbitrary.

For pure strategy equilibria $\{x_1^*(\cdot), x_2^*(\cdot), \mu^*(\cdot|\cdot)\}$, we have:

- (i') $\forall \theta \in \Theta : x_1^*(\theta) \in \arg \max_{x_1 \in X_1} \Pi_1(x_1, x_2^*(x_1), \theta)$;
- (ii') $\forall x_1 \in X_1 : x_2^*(x_1) \in \arg \max_{x_2 \in X_2} \sum_{\theta \in \Theta} \mu^*(\theta; x_1) \Pi_2(x_1, x_2, \theta)$;
- (iii') $\forall x_1 \in R x_1^*(\cdot)$, $\mu^*(\cdot|x_1)$ is obtained by applying Bayes' rule, otherwise $\mu^*(\cdot|x_1)$ is arbitrary.

Any function $\mu^*(\cdot|\cdot)$ satisfying (iii) or equivalently (iii') will be referred to as a Bayesian posterior belief function. In order to simplify the notation, we will often simply denote by μ the probability with which Firm 2 believes that Firm 1 is of the low cost type.

Now, maximizing $E\Pi_2(x_1, x_2, \theta) = \mu\Pi_2(x_1, x_2, c - \alpha) + (1 - \mu)\Pi_2(x_1, x_2, c)$, we obtain $\bar{x}_2(x_1, \mu)$, the best reply of Firm 2 to the location x_1 of Firm 1 under the posterior μ taken here as a parameter:

$$\bar{x}_2(x_1, \mu) = 1/3(2 + x_1 + \mu\alpha). \quad (12)$$

Since the best reply is unique given x_1 and μ , Firm 2 always uses only pure strategies in equilibrium. Note that $\bar{x}_2(\cdot, \cdot)$ is an increasing function of x_1 , μ , and α .

Let $\bar{\Pi}_1(x_1, \mu, \theta) = \Pi_1(x_1, \bar{x}_2(x_1, \mu), \theta)$ be the profit function of Firm 1 of type θ located at x_1 , given that Firm 2 chooses its location optimally, believing with probability μ that Firm 1 is of the low cost type. $\bar{\Pi}_1(x_1, \mu, \theta)$ is a strictly concave function of x_1 and an increasing function of μ for both values of θ , as shown in Appendix A. Denoting as $x_1(\mu, \theta)$ the optimal location of Firm 1 of type θ if it is believed by

Firm 2 to be of the low cost type with probability μ , we obtain by maximizing $\hat{\Pi}_1(x_1, \mu, \theta)$ in the interval $[0, 1/2]$:

$$x_1(\mu, \theta) = (1 - \delta(\theta))(1/5(2 + \mu\alpha)) + \delta(\theta) \min\{1/5(2 + \mu\alpha + 3\alpha), 1/2\}. \quad (13)$$

We may rephrase the definition of a PBE in terms of $\Psi_1(\cdot)$, $\hat{\Pi}_1(\cdot)$, and $\mu(\cdot)$ functions. The pair $\{\Psi_1^*(\cdot), \mu^*(\cdot)\}$ is a mixed strategy PBE if:

- (a) $\forall \theta \in \Theta : \forall x_1^* \in \text{Supp } \Psi_1^*(\theta) : x_1^* \in \arg \max_{x_1 \in X_1} \hat{\Pi}_1(x_1, \mu^*(c - \alpha|x_1), \theta)$;
- (b) $\mu^*(\cdot)$ is a Bayesian posterior belief function.

Similarly, $\{x_1^*(\cdot), \mu^*(\cdot)\}$ is a pure strategy PBE if:

- (a') $\forall \theta \in \Theta : x_1^*(\theta) \in \arg \max_{x_1 \in X_1} \hat{\Pi}_1(x_1, \mu^*(c - \alpha|x_1), \theta)$;
- and (b)

It is rather self-evident from the proofs of Propositions 3, 4, and 5 that even if the use of mixed strategies with a continuous support were allowed, in equilibrium only mixed strategies with finite supports would be used. Hence, although the set of pure strategies is a continuum in the present model, we will limit ourselves to mixed strategies whose support is finite, and we will denote by $X_{1\theta}$ the set of locations over which Firm 1 of type θ randomizes and by $\nu_1(x_1|\theta)$, $\theta \in \Theta$, the probability with which it chooses x_1 .

As usual in the incomplete information context, for a given situation (π, α) , there exists a continuum of equilibria, and sometimes simultaneously a whole range of separating, pooling, and semi-pooling equilibria, hence the need for a selection device.

4. THE D1 EQUILIBRIUM REFINEMENT IN MONOTONIC GAMES

Among the numerous refinements that have been proposed, the D1 criterion is quite powerful for a special class of signaling games, namely the monotonic signaling games. For such games one and only one equilibrium is robust to the D1 criterion. In this section, we rephrase the definition of the D1 refinement in terms of our location model, and we introduce the notion of the limit posterior belief function that will be used repeatedly in our study of the different kinds of equilibria. Last, we show that the present game is monotonic.

4.1 THE D1 EQUILIBRIUM REFINEMENT

Let $\mathcal{X}_1^* = \cup_{\theta \in \Theta} \mathcal{X}_{1\theta}^*$ be the set of equilibrium locations or signals and $\bar{\mathcal{X}}_1^* = [0, 1/2] \setminus \mathcal{X}_1^*$ the set of off-the-equilibrium signals, the latter locations being chosen with probability 0 in equilibrium. As we saw in the definition of a PBE, the posterior $\mu(\theta|x_1)$ is arbitrary for such locations $x_1 \in \bar{\mathcal{X}}_1^*$. Refinements serve as reasonable restrictions on $\mu(\theta|x_1)$. Criterion D1 is a way to define reasonable beliefs.

Consider a given PBE, $\{\Psi_1^*(\cdot), \Psi_2^*(\cdot), \mu^*(\cdot)\}$, and let $\Pi_1^*(\theta)$ be the profit of Firm 1 of type θ in that equilibrium. Recall that in the case of mixed strategies, all the locations in $\mathcal{X}_{1\theta}^*$ give the same profits to type θ , that is: for $x_{1\theta}^*$ and $x_{1\theta}'$ in $\mathcal{X}_{1\theta}^*$, $\Pi_1^*(\theta) = \Pi_1(x_{1\theta}^*, \bar{x}_2(x_{1\theta}^*, \mu^*), \theta) = \Pi_1(x_{1\theta}', \bar{x}_2(x_{1\theta}', \mu^*), \theta)$, where $\mu^* = \mu^*(c - \alpha|x_{1\theta}^*)$ and $\mu^{**} = \mu^*(c - \alpha|x_{1\theta}')$. Also recall that for any location x_1 and any posterior belief μ , there is a unique location $\bar{x}_2(x_1, \mu)$ which is the best response to x_1 , given μ . Let us define $BR(x_1, \mu)$ as $\{x_2|x_2 = \bar{x}_2(x_1, \mu)\}$ and $BR(x_1)$ as $\cup_{\mu \in [0,1]} BR(x_1, \mu) = \{x_2|\exists \mu : x_2 = \bar{x}_2(x_1, \mu)\}$. The set $BR(x_1, \mu)$ contains only one element, namely the best response location of Firm 2 to x_1 given μ . As for $BR(x_1)$, it is the set containing all the "possible" best response locations to x_1 , that is, each location x_2 which is a best response to x_1 for some posterior probability $\mu \in [0, 1]$. Let us now define:

$$D(\theta|x_1) = \{x_2 \in BR(x_1) | \Pi_1^*(\theta) < \Pi_1(x_1, x_2, \theta)\},$$

$$D^0(\theta|x_1) = \{x_2 \in BR(x_1) | \Pi_1^*(\theta) = \Pi_1(x_1, x_2, \theta)\}.$$

The set $D(\theta|x_1)$ is the subset of $BR(x_1)$ containing those locations x_2 which, if chosen by Firm 2, would justify a switch by Firm 1 of type θ from either one of its equilibrium locations to the off-the-equilibrium location x_1 . Its profits are higher at (x_1, x_2) , $x_2 \in D(\theta|x_1)$, than at $(x_{1\theta}^*, \bar{x}_2(x_{1\theta}^*, \mu^*))$, $\mu^* = \mu^*(c - \alpha|x_{1\theta}^*)$, whatever $x_{1\theta}^* \in \mathcal{X}_{1\theta}^*$. Similarly, the set $D^0(\theta|x_1)$ is the set of $x_2 \in BR(x_1)$ which make a switch to x_1 a no gain / no loss proposition.

Since $\bar{x}_2(x_1, \mu)$ and therefore $BR(x_1, \mu)$ increase in μ , and since $\Pi_1(x_1, x_2, \theta)$ increases in x_2 , we can express the sets $D(\cdot)$ and $D^0(\cdot)$ in terms of μ rather than x_2 , a substitution simplifying the use of criterion D1, as follows:

$$D(\theta|x_1) = \{\mu | \Pi_1^*(\theta) < \hat{\Pi}_1(x_1, \mu, \theta)\}, \quad (14)$$

$$D^0(\theta|x_1) = \{\mu | \Pi_1^*(\theta) = \hat{\Pi}_1(x_1, \mu, \theta)\}. \quad (15)$$

Clearly, since $\hat{\Pi}_1(x_1, \mu, \theta)$ increases in μ , the set $D(\theta|x_1)$, if nonempty, will include all the values of μ above some critical value for which $\Pi_1^*(\theta) = \hat{\Pi}_1(x_1, \mu, \theta)$, value which is indeed the only element of the set $D^0(\theta|x_1)$ if nonempty. Before characterizing this critical probability value, let us state criterion D1. Again, consider a given PBE, $\{\Psi_1^*(\cdot), \Psi_2^*(\cdot), \mu^*(\cdot)\}$, and an off-the-equilibrium signal x_1 . Then:

$$\{\exists \theta, \theta', \theta \neq \theta' : D(\theta|x_1) \cup D^0(\theta|x_1) \subset D(\theta'|x_1)\} \implies \mu^*(\theta|x_1) = 0. \quad (16)$$

In other words, if Firm 1 of type θ' has an incentive to deviate when Firm 1 of type θ has a weak incentive to deviate, then Firm 2 should not assign a positive probability that x_1 has been chosen by Firm 1 of type θ . Phrased differently, criterion D1 stipulates that it is reasonable to suppose with probability 1 that the off-the-equilibrium location x_1 has been chosen by the type which has the most to gain from it, in the precise sense of (16).

4.2 THE LIMIT POSTERIOR PROBABILITY FUNCTION

The critical posterior probability value is the key to the characterization of the sets of the different kinds of equilibria and to the application of refinement D1. Let us consider the set of locations of Firm 1 of type θ not strictly dominated by some given $(\hat{x}_1, \hat{\mu})$, that is, the set of locations x_1 such that there exist beliefs μ with $\hat{\Pi}_1(x_1, \mu, \theta) \geq \hat{\Pi}_1(\hat{x}_1, \hat{\mu}, \theta)$. As $\hat{\Pi}(\cdot)$ is strictly concave in x_1 and increasing in μ , this set is an interval $[x_{\min}(\hat{x}_1, \hat{\mu}, \theta), x_{\max}(\hat{x}_1, \hat{\mu}, \theta)]$ where $x_{\min}(\cdot)$ is the smallest root of the second order equation $\hat{\Pi}_1(x_1, 1, \theta) = \hat{\Pi}_1(\hat{x}_1, \hat{\mu}, \theta)$, which is always positive, and $x_{\max}(\cdot)$ is the largest root if less than $1/2$ and equal to $1/2$ otherwise.

Consider a location $x_1 \in [x_{\min}(\hat{x}_1, \hat{\mu}, \theta), x_{\max}(\hat{x}_1, \hat{\mu}, \theta)]$. Let $\mu(x_1, \hat{x}_1, \hat{\mu}, \theta)$ be either the solution of $\hat{\Pi}_1(x_1, \mu, \theta) = \hat{\Pi}_1(\hat{x}_1, \hat{\mu}, \theta)$ if such a solution exists, or 0 if not. For example, suppose $x_1(0, \theta) < 1/2$ and consider $\hat{x}_1 = x_1(0, \theta) + \epsilon < 1/2$, $\epsilon > 0$, and $\hat{\mu} = 0$; since $\hat{\Pi}_1(x_1(0, \theta), 0, \theta) > \hat{\Pi}_1(x_1(0, \theta) + \epsilon, 0, \theta)$ and $\hat{\Pi}(\cdot, \mu, \theta)$ is increasing in μ , the equation $\hat{\Pi}_1(x_1(0, \theta), \mu, \theta) = \hat{\Pi}_1(x_1(0, \theta) + \epsilon, 0, \theta)$ has no solution. As far as $\mu(x_1, \hat{x}_1, \hat{\mu}, \theta) > 0$, it is the highest value of μ for which Firm 1 of type θ will prefer to stay at \hat{x}_1 and face a Firm 2 with posterior $\hat{\mu}$ rather than to switch to x_1 and face a Firm 2 with posterior μ . For $x_1 \in [0, x_{\min}(\hat{x}_1, \hat{\mu}, \theta)] \cup (x_{\max}(\hat{x}_1, \hat{\mu}, \theta), 1/2]$, let $\mu(x_1, \hat{x}_1, \hat{\mu}, \theta)$ be equal to 1; then for any $x_1 \in [0, 1/2]$, a switch from $(\hat{x}_1, \hat{\mu})$ to (x_1, μ) is undesirable for Firm 1 of type θ if $\mu < \mu(x_1, \hat{x}_1, \hat{\mu}, \theta)$.

Note that if (x'_1, μ') and (x''_1, μ'') give the same profits to Firm 1 of type θ , that is, if $\hat{\Pi}_1(x'_1, \mu', \theta) = \hat{\Pi}_1(x''_1, \mu'', \theta)$, then for any x_1 : $\mu(x_1, x'_1, \mu', \theta) = \mu(x_1, x''_1, \mu'', \theta)$. Since in equilibrium $\hat{\Pi}_1(x^*_1, \mu^*, \theta) = \hat{\Pi}_1(x^*_1, \mu^{**}, \theta)$ whenever $\{x^*_1, x^*_1\} \subseteq X^*_1$, $\mu^* = \mu^*(c - \alpha|x^*_1|)$ and $\mu^{**} = \mu^*(c - \alpha|x^*_1|)$, using the limit probability function, we may redefine criterion D1 as follows: it is reasonable for Firm 2, observing x_1 , to assign probability 0 to type θ and probability 1 to the other type θ' if $\mu(x_1, x^*_1, \mu^*, \theta) > \mu(x_1, x^*_1, \mu^{**}, \theta')$, where $\mu^* = \mu^*(c - \alpha|x^*_1|)$ and $\mu^{**} = \mu^*(c - \alpha|x^*_1|)$. Indeed, we can rewrite (14) and (15) as follows:

$$\forall \theta \in \Theta, \forall x^*_1 \in X^*_1 :$$

$$D(\theta|x_1) = \{\mu | \mu > \mu(x_1, x^*_1, \mu^*, \theta)\}, \quad (17)$$

$$D^Q(\theta|x_1) = \{\mu | \mu = \mu(x_1, x^*_1, \mu^*, \theta)\}. \quad (18)$$

What makes the use of the limit posterior probability functions an easy and efficient device to determine the locations robust to DI in the present location model are the following single crossing properties of the $\mu(x_1, \hat{x}, \hat{\mu}, \theta)$ functions.

Proposition 1: Let two pairs of locations and posterior beliefs (x'_1, μ') and (x''_1, μ'') be such that:

$$x'_1 \in [x_{\min}(x_1(0, c), 0, c), x_{\max}(x_1(0, c), 0, c)], \quad (19)$$

$$\mu' \geq \mu(x'_1, x_1(0, c), 0, c), \quad (20)$$

$$x'' \in [x_{\min}(x_1(0, c - \alpha), 0, c - \alpha), x_{\max}(x_1(0, c - \alpha), 0, c - \alpha)], \quad (21)$$

$$\mu'' \geq \mu(x''_1, x_1(0, c - \alpha), 0, c - \alpha). \quad (22)$$

If there exists a third pair $(\hat{x}_1, \hat{\mu})$ such that:

$$\hat{\mu} < 1 \text{ and } \mu(\hat{x}_1, x'_1, \mu', c) = \hat{\mu} = \mu(\hat{x}_1, x''_1, \mu'', c - \alpha),$$

then this last pair is unique. \parallel

Proof: See Appendix B.

Proposition 2: Let $(\hat{x}_1, \hat{\mu})$ be such that:

- either $\hat{\mu} < 1$, and $\mu(\hat{x}_1, x'_1, \mu', c) = \hat{\mu} = \mu(\hat{x}_1, x''_1, \mu'', c - \alpha)$ for some pairs (x'_1, μ') and (x''_1, μ'') satisfying respectively (19), (20), and (21), (22) (23)

- or $\hat{\mu} = 1$, $\hat{x}_1 = x_{\min}(\hat{x}_1, \hat{\mu}, \theta)$, $\theta \in \Theta$, and $\hat{x}_1 \geq x_{\min}(x_1(0, c - \alpha), 0, c - \alpha)$ (24)

- or $\hat{\mu} = 1$, $\hat{x}_1 = x_{\max}(\hat{x}_1, \hat{\mu}, \theta)$, $\theta \in \Theta$, and $\hat{x}_1 \leq x_{\max}(x_1(0, c), 0, c)$ (25)

then:

- for any $x_1 \in (x_{\min}(\hat{x}_1, \hat{\mu}, c), \hat{x}_1)$:

$$\mu(x_1, \hat{x}_1, \hat{\mu}, c) < \mu(x_1, \hat{x}_1, \hat{\mu}, c - \alpha) \quad (26)$$

- for any $x_1 \in (\hat{x}_1, x_{\max}(\hat{x}_1, \hat{\mu}, c - \alpha))$:

$$\mu(x_1, \hat{x}_1, \hat{\mu}, c) > \mu(x_1, \hat{x}_1, \hat{\mu}, c - \alpha). \quad \parallel \quad (27)$$

Proof: See Appendix B.

The working of propositions 1 and 2 is illustrated on Figure 2 (Appendix C) and Figures 3 and 4 (Appendix E). The fundamental property underlying these propositions is that, for any given $(x_1, \dot{x}_1, \dot{\mu})$, such that $\mu(x_1, \dot{x}_1, \dot{\mu}, \theta) < 1$, $\theta \in \Theta$, we have:

$$\frac{\partial \mu(x_1, \dot{x}_1, \dot{\mu}, c)}{\partial x_1} = - \frac{\partial \dot{\Pi}_1(x_1, \mu, c)/\partial x_1}{\partial \dot{\Pi}_1(x_1, \mu, c)/\partial \mu} > - \frac{\partial \dot{\Pi}_1(x_1, \mu, c - \alpha)/\partial x_1}{\partial \dot{\Pi}_1(x_1, \mu, c - \alpha)/\partial \mu} = \frac{\partial \mu(x_1, \dot{x}_1, \dot{\mu}, c - \alpha)}{\partial x_1}$$

In other terms, the absolute value of the ratio of marginal profits with respect to location and posterior beliefs (to be identified as a low cost type) is always higher for the high cost type than for the low cost type. Since at $x_1 = \dot{x}_1$ we have $\mu(x_1, \dot{x}_1, \dot{\mu}, c) = \dot{\mu} = \mu(x_1, \dot{x}_1, \dot{\mu}, c - \alpha)$, then the above inequality implies both proposition 1 and proposition 2.

4.3 MONOTONIC GAMES AND THE UNIQUENESS OF D1 EQUILIBRIUM

The sequential spatial model we consider in this paper is a monotonic signaling game, as defined by Cho and Sobel [3]. They show that in such games, the equilibrium refinement criteria D1, universal divinity (UD), and never a weak best response (NWBR) are all equivalent, hence lending additional support for using D1 in the present context. Cho and Sobel's definition of a monotonic signaling game, expressed in terms of our model, is as follows: the location game is monotonic if $\forall x_1 \in [0, 1/2]$, $\forall x_2$ and $x'_2 \in BR(x_1)$, whenever one type of Firm 1 prefers (x_1, x_2) to (x_1, x'_2) , the other type of Firm 1 does so as well. Since $\partial \Pi_1(x_1, x_2, c)/\partial x_2 > 0$ and $\partial \Pi_1(x_1, x_2, c - \alpha)/\partial x_2 > 0$, we have for all locations x_2 and $x'_2 \in [1/2, 1]$, and a fortiori for those in $BR(x_1)$:

$$\{\Pi_1(x_1, x_2, c) > \Pi_1(x_1, x'_2, c)\} \text{ iff } \{\Pi_1(x_1, x_2, c - \alpha) > \Pi_1(x_1, x'_2, c - \alpha)\}.$$

Each inequality implies $x_2 > x'_2$ which, in turn, implies the other inequality.

Let us redefine the types of Firm 1 from $\theta \in \Theta = \{c - \alpha, c\}$ to $\tau \in \{0, \alpha\}$ so that the high cost type appears as the lower type, which is the one trying to imitate the higher type. This will be useful in [A6] below. Cho and Sobel's sufficient conditions to obtain the existence and uniqueness of a D1-equilibrium are the following: [A1] the set of signals, that is, the set of possible locations of Firm 1, is a compact interval, and the set of actions by the receiver, that is the set of possible locations of Firm 2, is also a compact interval; [A2] $\Pi_1(x_1, x_2, \tau)$ is continuous in (x_1, x_2) for all $\tau \in \{0, \alpha\}$; [A3] monotonicity as defined above; [A4] $\Pi_2(x_1, x_2, \tau)$ is a continuous function of (x_1, x_2) for all τ and a strictly quasi-concave differentiable function of x_2 ; [A5] $\partial \Pi_2(x_1, x_2, \tau)/\partial x_2$ is a strictly increasing function of τ ; [A6] if $\tau < \tau'$ and $x_1 < x'_1$, then $\{\Pi_1(x_1, x_2, \tau) \leq \Pi_1(x'_1, x'_2, \tau)\} \Rightarrow \{\Pi_1(x_1, x_2, \tau') < \Pi_1(x'_1, x'_2, \tau')\}$; [A7] $\forall \tau$, $\Pi_1(x_1, x_2(x_1, \tau), \tau)$ is a strictly quasi-concave function of x_1 .

It is clear that A1 and A2 hold in the present game and we just showed that A3 is also satisfied. It is straightforward to verify that A4 holds, and noting that r increases from 0, for the high cost type, to α , for the low cost type, it is easy to check that A5 is satisfied too. Condition A6 states that if the high cost Firm 1 makes at least as much profit in situation (x'_1, x'_2) as in situation (x_1, x_2) with $x'_1 > x_1$, then the low cost Firm 1 does strictly better in (x'_1, x'_2) than in (x_1, x_2) . This condition is indeed implied by a single crossing property: $-(\partial\Pi_1/\partial x_1)/(\partial\Pi_2/\partial x_2)$ is decreasing with r . This expression is equal here to $(3x_1 - x_2 - r)/(x_1 + x_2 + r)$, $r \in (0, \alpha)$. Hence, condition A6 is satisfied. Finally, $\Pi_1(x_1, x_2(x_1, r), r)$ is strictly concave in x_1 for both values of r . Hence, A1 to A7 are verified. For each situation in the (π, α) -space, there exists a unique D1 equilibrium in the present location model.

5. THE PERFECT BAYESIAN D1 EQUILIBRIA

For each type of equilibrium, we describe the set of equilibria and identify those which are robust to D1. This will allow us to draw a map in the (π, α) -space, giving the unique equilibrium predicted in each possible situation defined by (π, α) for $\pi \in (0, 1)$ and $\alpha \in (0, 1/2)$.

5.1 THE SEPARATING EQUILIBRIA

When they exist, such equilibria are pure strategy equilibria, the high cost Firm 1 locating at $x_1(0, c)$ and the low cost type locating within $[x_{\max}(x_1(0, c), 0, c), x_{\max}(x_1(0, c - \alpha), 0, c - \alpha)]$, provided that this interval not be degenerate. This will be the case if the cost discrepancy is not too high, at most equal to some limit we will denote by $\hat{\alpha}_c$. As shown in Appendix C, for $\alpha < \hat{\alpha}_c$: $x_{\max}(x_1(0, c), 0, c) < x_{\max}(x_1(0, c - \alpha), 0, c - \alpha)$; for $\alpha \geq \hat{\alpha}_c$: $x_{\max}(x_1(0, c), 0, c) = x_{\max}(x_1(0, c - \alpha), 0, c - \alpha) = 1/2$ and $\mu(1/2, x_1(0, c), 0, c) \leq 1$, with the equality if $\alpha = \hat{\alpha}_c$ and the strict inequality if $\alpha > \hat{\alpha}_c$. The value of $\hat{\alpha}_c$ is $9/\sqrt{5} - 4 < 1/2$. For $\alpha < \hat{\alpha}_c$ there exists a whole continuum of pure strategy equilibria, whose measure first increases from 0 at $\alpha = 0$ and then decreases and goes back to 0 at $\alpha = \hat{\alpha}_c$. For $\alpha = \hat{\alpha}_c$, there exists a unique separating equilibrium, and for $\alpha > \hat{\alpha}_c$, no separating equilibrium exists. When there exists a continuum of equilibria, the only D1 equilibrium is the least distorting equilibrium, as measured with respect to the full information equilibrium. More precisely, we have:

Proposition 3: All the separating equilibria are pure strategy equilibria. Such equilibria exist if the cost discrepancy is not too high, namely if $\alpha \in [0, \hat{\alpha}_c]$, whatever the priors. If $\alpha \in (0, \hat{\alpha}_c)$, there exists a continuum of separating equilibria: $x_{1c}^* = x_1(0, c)$ and $x_{2c}^* \in [x_{\max}(x_1(0, c), 0, c), x_{\max}(x_1(0, c - \alpha), 0, c - \alpha)]$.

α], each one supported by any posterior beliefs function $\mu^*(c - \alpha|x_1)$ such that:

$$\mu^*(c - \alpha|x_1) \begin{cases} = 0 & \text{if } x_1 = x_{1c}^*, \\ = 1 & \text{if } x_1 = x_{1c-\alpha}^*, \\ \leq \min \{ \mu(x_1, x_{1c}^*, 0, c), \mu(x_1, x_{1c-\alpha}^*, 1, c - \alpha) \} & \text{otherwise.} \end{cases}$$

If $\alpha = \hat{\alpha}_c$, there exists only one separating equilibrium: $x_{1c}^* = x_1(0, c)$ and $x_{1c-\alpha}^* = 1/2$, supported by the same kind of posterior beliefs. For $\alpha \in (0, \hat{\alpha}_c]$, the unique D1 equilibrium among the separating equilibria is the following: $x_{1c}^* = x_1(0, c)$ and $x_{1c-\alpha}^* = x_{max}(x_1(0, c), 0, c)$. ||

Proof: See Appendix C.

Since from (13), $x_{max}(x_1(0, c), 0, c) > x_1(1, c - \alpha)$ when $\alpha \leq \hat{\alpha}_c$, then the D1 separating equilibria involve a distortion in the location of Firm 1. Although Firm 1 of the high cost type locates at its full information location, Firm 1 of the low cost type generally locates to the right of its full information location, closer to the center of the market. But the distortion is the smallest possible, given the incomplete information structure, compatible with a separating equilibrium.

5.2 THE POOLING EQUILIBRIA

As for the case of separating equilibria, pooling equilibria are always pure strategy equilibria. Now, we must distinguish both according to the values of α and the value of the prior belief π . For any cost advantage α , there is a whole range of pooling equilibria, whose measure increases with α , generally sustained by a continuum of prior beliefs and Bayesian posterior belief functions. However, the unique pooling equilibria surviving the application of criterion D1 is the one in which both types of Firm 1 locate at the center of the market, provided that the prior probability that Firm 1 is of the low cost type is higher than a strictly positive bound. We have:

Proposition 4: All the pooling equilibria are pure strategy equilibria. For any cost discrepancy $\alpha \in (0, 1/2)$, each location $x_1^* \in (x_{min}(x_1(0, c - \alpha), 0, c - \alpha), x_{max}(x_1(0, c), 0, c))$ may be a pooling equilibrium location, provided that:

- the prior π be sufficiently high:

$$\pi \geq \max \{ \mu(x_1^*, x_1(0, \theta), 0, \theta), \theta \in \Theta \};$$

- the posterior belief function $\mu^*(c - \alpha|x_1)$ satisfy:

$$\mu^*(c - \alpha|x_1) \begin{cases} = \pi, & \text{if } x = x_1^* \\ \leq \min \{ \mu(x_1, x_1^*, \pi, \theta), \theta \in \Theta \}, & \text{otherwise.} \end{cases}$$

D1 pooling equilibria exist iff $\pi \geq \mu(1/2, x_1(0, c), 0, c)$ and $\alpha \in (\hat{\alpha}_c, 1/2)$, in which case the surviving equilibrium is the center of the market: $x_1^* = 1/2$. \parallel

Proof: See Appendix D.

The incomplete information pooling equilibrium, given α , selected by criterion D1 is always quite different from the full information equilibrium for the high cost Firm 1, now locating at the center of the market instead of $x_1(0, c) < 1/2$. For the low cost type, we must distinguish according to the values of α . Remember that under full information, the low cost type locates at $x_1(1, c - \alpha) < 1/2$ if $\alpha < 1/8$ and $x_1(1, c - \alpha) = 1/2$ for $\alpha \geq 1/8$. Since $\hat{\alpha}_c = (9/\sqrt{5}) - 4 < 1/8$, the location will be distorted only if $\alpha \in (\hat{\alpha}_c, 1/8)$. Note, however, that even when the location of the low cost type is not distorted, the doubt subsisting about its true type is prejudicial: Firm 2 will locate nearer the market center than under full information. On the contrary, the high cost Firm 1 will always be better off at the D1 pooling equilibrium.

5.3 THE SEMI-SEPARATING EQUILIBRIA

In all the semi-separating equilibria, each type of Firm 1 plays at most two different locations and there may be only one location common to the both types, so that we have only two kinds of such equilibria: those in which each type θ randomizes over two locations, a location $x_{1\theta}^*$ specific to its type and a location x_1^* common to both types, and those in which one of the types, say θ , randomizes over $\{x_{1\theta}^*, x_1^*\}$ and the other type, $\theta' \neq \theta$, plays x_1^* , a pure strategy.

The only kind of semi-separating equilibria existing for all the values of the cost discrepancy α is the one in which only the high cost type randomizes, provided that the prior π be sufficiently low. For the other kinds, in which either the two types randomize or only the low cost type plays a mixed strategy, the cost advantage of the low cost type must not be too high, whatever the prior π in the first case, for sufficiently high values of π only in the second case. In all the equilibria where the high cost type plays a specific location x_{1c}^* , it is then perfectly identified; hence, this location must be $x_1(0, c)$, the location maximizing its profits when clearly perceived as the high cost type. The other locations are less constrained and there generally exists a whole range of possible equilibrium positions.

The equilibrium selected by D1 is for the low cost Firm 1 to locate at the center of the market and for the high cost Firm 1 to randomize over its full information location $x_1(0, c)$ and the center of the market, if $\alpha \in (\hat{\alpha}_c, 1/2)$ and $\pi < \mu(1/2, x_1(0, c), 0, c)$. Hence, the low cost Firm 1 locates to the right of its full information location, while the high cost Firm 1 locates with some probability at its full information location and with the complementary probability at the market center.

In order to characterize the whole set of semi-separating equilibria, we introduce the following noteworthy locations. We denote by \hat{x}_1 the location for which $\mu(x_1, x_1(0, c), 0, c) = \mu(x_1, x_1(0, c - \alpha), 0, c - \alpha) < 1$, that is:

$$\hat{x}_1 = \begin{cases} 1/5(\alpha^2 + 6\alpha + 4)^{1/2}, & \text{if } \alpha \in [0, 1/6] \\ (7920\alpha^2 - 240\alpha + 1)^{1/2}/180\alpha, & \text{otherwise.} \end{cases}$$

Clearly, $x_1(0, c) < \hat{x}_1 < x_1(0, c - \alpha)$. For $\alpha \in (0, \hat{\alpha}_c)$ and $x_1^* \in (x_{\max}(x_1(0, c), 0, c), x_{\max}(x_1(0, c - \alpha), 0, c - \alpha))$, we define $\bar{x}_1(x_1^*)$ as the location for which $\mu(x_1, x_1(0, c), 0, c) = \mu(x_1, x_1^*, 1, c - \alpha) < 1$. This location is also depending on α and $x_1(0, c) < \bar{x}_1(x_1^*) < x_1(1, c - \alpha)$. Finally, let us denote by $\hat{\alpha}_{c-\alpha}$ the upper bound of the values of α for which $x_{\max}(x_1(0, c - \alpha), 0, c - \alpha) < 1/2$: $\hat{\alpha}_{c-\alpha} = 26 - 15\sqrt{3} < \hat{\alpha}_c$. For any $\alpha \in (\hat{\alpha}_{c-\alpha}, \hat{\alpha}_c)$, we define \bar{x}_1 as the location at which $\hat{\Pi}_1(x_1, \mu(x_1, x_1(0, c), 0, c), c - \alpha) = \hat{\Pi}_1(1/2, 1, c - \alpha)$, a location depending on α . We have:

Proposition 5: In all the semi-separating equilibria, there exists one and only one location chosen in equilibrium by both types of Firm 1, and each type chooses two different locations at most.

- (i) There exists a continuum of equilibria in which both types of Firm 1 randomize iff $\alpha \in (0, \hat{\alpha}_c]$, whatever π . The equilibrium locations are the following:

$$x_{1c}^* = x_1(0, c),$$

$$x_1^* \begin{cases} \in [\hat{x}_1, x_{\max}(x_1(0, c), 0, c)] & \text{if } \alpha \in (0, \hat{\alpha}_{c-\alpha}], \\ \in [\bar{x}_1, x_{\max}(x_1(0, c), 0, c)] & \text{if } \alpha \in (\hat{\alpha}_{c-\alpha}, \hat{\alpha}_c], \end{cases}$$

$$x_{1c-\alpha}^* = x_{\max}(x_1^*, \mu^*(c - \alpha|x_1^*), c - \alpha).$$

These equilibrium locations are supported by the posterior beliefs:

$$\mu^*(c - \alpha|x_1) \begin{cases} = 0, & \text{if } x_1 = x_{1c}^*, \\ = \mu(x_1^*, x_1(0, c), 0, c), & \text{if } x_1 = x_1^*, \\ = 1, & \text{if } x_1 = x_{1c-\alpha}^*, \\ \leq \min\{\mu(x_1, x_1^*, \mu^*(c - \alpha|x_1^*), \theta), \theta \in \Theta\}, & \text{otherwise,} \end{cases}$$

and, given (π, α) and x_1^* , by a whole range of randomizations $\{\nu_1(x_1^*|c), \nu_1(x_1^*|c - \alpha)\}$.

- (ii) For any $\alpha \in (0, 1/2)$, there exists a continuum of equilibria in which only the high cost Firm 1 randomizes provided that π be sufficiently low, in which case the equilibrium locations are as follows:

$$x_{1c}^* = x_1(0, c),$$

$$x_1^* \begin{cases} \in [\hat{x}_1, x_{\max}(x_1(0, c), 0, c)], & \text{if } \alpha \in (0, \hat{\alpha}_c], \\ \in [\hat{x}_1, 1/2], & \text{if } \alpha \in (\hat{\alpha}_c, 1/2), \end{cases}$$

each one supported by:

$$\mu^*(c - \alpha | x_1) \begin{cases} = 0, & \text{if } x_1 = x_{1c}^*, \\ = \mu(x_1^*, x_1(0, c), 0, c), & \text{if } x_1 = x_1^*, \\ \leq \min\{\mu(x_1, x_1^*, \mu^*(c - \alpha | x_1^*), \theta), \theta \in \Theta\}, & \text{otherwise,} \end{cases}$$

and, given (π, α) and x_1^* , by only one mixed strategy $\nu_1(x_1^* | c)$ of the high cost type; the condition on π is: $\pi < \mu^*(c - \alpha | x_1^*)$.

- (iii) There exists a continuum of equilibria in which only the low cost type of Firm 1 randomizes iff $\alpha \in (0, 1/8)$, provided that π be sufficiently high. The equilibrium locations are as follows:

$$x_{1c-\alpha}^* \in (x_1(1, c - \alpha), x_{\max}(x_1(0, c - \alpha), 0, c - \alpha)),$$

$$x_1^* \begin{cases} \in (x_{\min}(x_{1c-\alpha}^*, 1, c - \alpha), x_{1c-\alpha}^*), & \text{if, for any } \alpha \in (0, 1/8), x_{1c-\alpha}^* \in (x_1(1, c - \alpha), x_{\max}(x_1(0, c), 0, c)), \\ \in (x_{\min}(x_{1c-\alpha}^*, 1, c - \alpha), \bar{x}_1(x_{1c-\alpha}^*)), & \text{if } \alpha \in (0, \hat{\alpha}_c] \text{ and } x_{1c-\alpha}^* \in (x_{\max}(x_1(0, c), 0, c), x_{\max}(x_1(0, c - \alpha), 0, c - \alpha)). \end{cases}$$

These equilibrium locations are supported by:

$$\mu^*(c - \alpha | x_1^*) \begin{cases} = 1, & \text{if } x_1 = x_{1c-\alpha}^*, \\ = \mu(x_1^*, x_{1c-\alpha}^*, 1, c - \alpha), & \text{if } x_1 = x_1^*, \\ \leq \min\{\mu(x_1, x_1^*, \mu^*(c - \alpha | x_1^*), \theta), \theta \in \Theta\}, & \text{otherwise, } \mp \end{cases}$$

and, given (π, α) and x_1^* , by only one mixed strategy $\nu_1(x_1^* | c - \alpha)$ of the low cost type; the condition on π is: $\pi > \mu(x_1^*, x_{1c-\alpha}^*, 1, c - \alpha)$.

- (iv) D1 semi-separating equilibria exist if $\pi < \mu(1/2, x_1(0, c), 0, c)$ and $\alpha \in (\hat{\alpha}_c, 1/2)$. If (π, α) is in this region, then the unique semi-separating equilibrium robust to D1 is this equilibrium in which only the high cost Firm 1 randomizes over the locations: $x_{1c}^* = x_1(0, c)$ and $x_1^* = 1/2$. ||

Proof: See Appendix E.

5.4 THE MUTUALLY EXCLUSIVE DOMAINS

Recapitulating from the previous subsections, we have that:

- * for $\alpha \in (0, \hat{\alpha}_c]$, $\pi \in (0, 1)$, that is, for region I on Figure 1, the unique D1 equilibrium is the separating equilibrium which involves the least cost of separation;
- * for $\alpha \in (\hat{\alpha}_c, 1/2)$, $\pi \in [\mu(1/2, z_1(0, c), 0, c), 1)$, that is, region II on Figure 1, the unique D1 equilibrium is the pooling equilibrium at the market center;
- * for $\alpha \in (\hat{\alpha}_c, 1/2)$, $\pi \in (0, \mu(1/2, z_1(0, c), 0, c))$, that is, region III on Figure 1, the unique D1 equilibrium is the semi-separating equilibrium where only the high cost Firm 1 randomizes over its full information equilibrium and the market center, and the low cost firm 1 plays a pure strategy at the market center.

Figure 1 about here

What fundamentally happens is that for low cost discrepancies we get the classical result: the two types choose different locations in equilibrium, the most efficient one incurring a separating cost, the less efficient one staying at its complete information location. For the efficient type, the separation cost comes from the fact that it must locate nearer the market center than it would have chosen under complete information. As the cost discrepancy increases, the most efficient type would have to go beyond $1/2$, say $1/2 + \delta$, with $\delta > 0$, in order to separate from its less efficient twin. All this would work smoothly if Firm 2 were constrained to stay within $(1/2 + \delta, 1)$. The problem is that Firm 2 is free to choose the most convenient location for itself and switches within $[0, 1/2 + \delta)$ once Firm 1 goes beyond $1/2$. Hence, the separating power of $1/2 + \delta$ is not greater than the separating power of $1/2 - \delta$ and the efficient type stays at $1/2$. Doing so creates an incentive for the less efficient type to imitate the more efficient one. But imitation may really succeed only if the prior probability π that Firm 1 is of the low cost type is sufficiently high, because Firm 2's reaction depends on this probability for a given location of Firm 1. If this probability is too low, the pooling process is blurred: the high cost Firm 1 will imitate its low cost twin only with a probability less than 1, hence generating a mixed strategy equilibrium.

6. CONCLUSION

This paper has made use of Cho and Sobel [3] to exhibit the outcome of spatial competition, as predicted by the recent developments of the theory of incomplete information games. It provides an exhaustive description and prediction of the variety of distortions in locations which can arise because of incomplete information. Clearly, incomplete information appears to have a major influence on location choices. Although the less efficient type of Firm 1 chooses its complete information location in separating and, with some probability, in semi-separating equilibria, it will locate nearer to the center of the market, otherwise; as for the most efficient type, for all the values of the cost advantage for which the full information location is not at the market center, the incomplete information location is nearer to the market center than the

complete information one. Hence, the incomplete information always results in a more aggressive price competition.

From the point of view of signaling models, our model provides an economically meaningful example of the usefulness of the D1 refinement to narrow down successfully and dramatically the set of equilibria. There are not so many examples of such applications.

APPENDIX A: PROPERTIES OF THE $\hat{\Pi}_1(x_1, \mu, \theta)$ FUNCTIONS

Substituting $\bar{x}_2(x_1, \mu) = 1/3(x_1 + \mu x + 2)$ for x_2 in the Firm 1's profit function (2): $\Pi_1(x_1, x_2, \theta) = 1/4(x_2 - x_1)(3x_1 + x_2) + \delta(\theta)[1/2\alpha(x_1 + x_2) + 1/4\alpha^2]$, where $\delta(\theta) = 0$ if $\theta = c$ and $\delta(\theta) = 1$ if $\theta = c - \alpha$, we get:

$$\hat{\Pi}_1(x_1, \mu, \theta) = 1/36 [-20x_1^2 + 8(2 + \mu\alpha + 3\delta(\theta)\alpha)x_1 + (2 + \mu\alpha + 3\delta(\theta)\alpha)^2] \quad (\text{A.1})$$

with

$$\frac{\partial \hat{\Pi}_1}{\partial \mu} = 1/36 [8\alpha x_1 + 2\alpha(2 + \mu\alpha + 3\delta(\theta)\alpha)] > 0, \quad \frac{\partial^2 \hat{\Pi}_1}{\partial \mu^2} = 1/18 \alpha^2 \quad (\text{A.2})$$

$$\frac{\partial \hat{\Pi}_1}{\partial x_1} = 1/9 [-10x_1 + 2(2 + \mu\alpha + 3\delta(\theta)\alpha)], \quad \frac{\partial^2 \hat{\Pi}_1}{\partial x_1^2} = -10/9 < 0 \quad (\text{A.3})$$

$$\frac{\partial^2 \hat{\Pi}_1}{\partial x_1 \partial \mu} = 2/9 \alpha > 0. \quad (\text{A.4})$$

The $\hat{\Pi}_1(\cdot)$ functions are strictly concave in x_1 so that the location $x_1(\mu, \theta)$ maximizing $\hat{\Pi}_1(x_1, \mu, \theta)$ is unique and equal to:

$$x_1(\mu, \theta) = (1 - \delta(\theta))[1/5(2 + \mu\alpha)] + \delta(\theta) \min\{1/5(2 + \mu\alpha + 3\alpha), 1/2\}. \quad (\text{A.5})$$

Note that for a given α , the two intervals $[x_1(0, \theta), x_1(1, \theta)]$, $\theta \in \Theta$, do not intersect. Substituting $x_1(\mu, \theta)$ for x_1 in $\hat{\Pi}_1(x_1, \mu, \theta)$, we get:

$$\hat{\Pi}_1(x_1(\mu, \theta), \mu, \theta) = \min\{2/4 x_1(\mu, \theta)^2, 1/36[3 + 4(\mu + 3)\alpha + (2 + \mu\alpha + 3\alpha)^2]\}. \quad (\text{A.6})$$

Hence, since the two intervals $[x_1(0, \theta), x_1(1, \theta)]$, $\theta \in \Theta$, do not intersect:

$$\hat{\Pi}_1(x_1(1, c), 1, c) < \hat{\Pi}_1(x_1(0, c - \alpha), 0, c - \alpha), \quad \alpha \in (0, 1/2). \quad (\text{A.7})$$

APPENDIX B: THE LIMIT POSTERIOR PROBABILITY FUNCTION

In this appendix, we give all the relevant characteristics of the limit probability functions $\mu(x_1, \hat{x}_1, \hat{\mu}, \theta)$, $\theta \in \Theta$.

(B.1) For the high cost Firm 1 correctly identified as such and located at its profit maximizing location, that is, for $\theta = c$, $\hat{\mu} = 0$, $\hat{x}_1 = x_1(0, c) (= 2/5 < 1/2)$, we have:

$$x_{\min}(x_1(0, c), 0, c) = 1/5(2 + \alpha - \Delta^{1/2}), \quad (B.1)$$

$$x_{\max}(x_1(0, c), 0, c) = \begin{cases} 1/5(2 + \alpha + \Delta^{1/2}), & \text{if } \alpha \leq \hat{\alpha}_c = (9/\sqrt{5}) - 4, \\ 1/2, & \text{otherwise,} \end{cases} \quad (B.2)$$

where $\Delta = 9(1/4\alpha^2 + \alpha)$. The limit probability function $\mu(x_1, x_1(0, c), 0, c)$ is continuous and equal to 1 on $[0, x_{\min}(x_1(0, c), 0, c)]$, decreasing from 1 to 0 on $(x_{\min}(x_1(0, c), 0, c), x_1(0, c))$, increasing from 0 to 1 on $(x_1(0, c), x_{\max}(x_1(0, c), 0, c))$ if the upper bound of this interval is lower than $1/2$, and remaining equal to 1 on $(x_{\max}(x_1(0, c), 0, c), 1/2]$, increasing from 0 to a value less than 1 on $(x_1(0, c), x_{\max}(x_1(0, c), 0, c))$ if $x_{\max}(x_1(0, c), 0, c) = 1/2$.

(B.2) For the low cost Firm 1 wrongly identified as a high cost one and optimally located given this misperception, that is, for $\theta = c - \alpha$, $\hat{\mu} = 0$, $\hat{x}_1 = x_1(0, c - \alpha)$ (either equal to $1/5(2 + 3\alpha)$ if $\alpha \leq 1/6$ or to $1/2$ if $\alpha > 1/6$), we have:

$$x_{\min}(x_1(0, c - \alpha), 0, c - \alpha) = \begin{cases} 1/5(2 + 4\alpha - \Omega^{1/2}), & \text{if } \alpha \leq 1/6, \\ 1/10(4 + 8\alpha - \Gamma^{1/2}), & \text{otherwise,} \end{cases} \quad (B.3)$$

$$x_{\max}(x_1(0, c - \alpha), 0, c - \alpha) = \begin{cases} 1/5(2 + 4\alpha - \Omega^{1/2}), & \text{if } \alpha \leq \hat{\alpha}_{c-\alpha} = 26 - 15\sqrt{3}, \\ 1/2, & \text{otherwise,} \end{cases} \quad (B.4)$$

where $\Omega = 9(7/4\alpha^2 + \alpha)$ and $\Gamma = 99\alpha^2 + 24\alpha + 1$. The limit probability function $\mu(x_1, x_1(0, c - \alpha), 0, c - \alpha)$ is continuous and equal to 1 on $[0, x_{\min}(x_1(0, c - \alpha), 0, c - \alpha)]$, decreasing from 1 to 0 on $(x_{\min}(x_1(0, c - \alpha), 0, c - \alpha), x_1(0, c - \alpha))$, increasing from 0 to 1 on $(x_1(0, c - \alpha), x_{\max}(x_1(0, c - \alpha), 0, c - \alpha))$ if $x_1(0, c - \alpha) < x_{\max}(x_1(0, c - \alpha), 0, c - \alpha) < 1/2$ (note that the second inequality implies the first) and remaining equal to 1 on $(x_{\max}(x_1(0, c - \alpha), 0, c - \alpha), 1/2]$, increasing from 0 to a value less than 1 on $(x_1(0, c - \alpha), x_{\max}(x_1(0, c - \alpha), 0, c - \alpha))$ if $x_1(0, c - \alpha) < x_{\max}(x_1(0, c - \alpha), 0, c - \alpha) = 1/2$.

(B.3) There are important relationships between the limit posterior probability functions $\mu(x_1, \hat{x}_1, \hat{\mu}, c)$ and $\mu(x_1, \hat{x}_1, \hat{\mu}, c - \alpha)$, defined for a given $(\hat{x}_1, \hat{\mu})$. By definition:

- the two functions have the same value $\hat{\mu}$ at $x_1 = \hat{x}_1$:

$$\mu(\hat{x}_1, \hat{x}_1, \hat{\mu}, c) = \mu(\hat{x}_1, \hat{x}_1, \hat{\mu}, c - \alpha) = \hat{\mu}; \quad (B.5)$$

- each function assumes a value less than 1 within the interval $(x_{\min}(\hat{x}_1, \hat{\mu}, \theta), x_{\max}(\hat{x}_1, \hat{\mu}, \theta))$:

$$x_1 \in (x_{\min}(\hat{x}_1, \hat{\mu}, \theta), x_{\max}(\hat{x}_1, \hat{\mu}, \theta)) \Rightarrow \mu(x_1, \hat{x}_1, \theta) < 1; \quad (B.6)$$

- defining A_θ as the following interval:

$$A_\theta = \begin{cases} (x_{\min}(x_1(0, \theta), 0, \theta), x_{\max}(x_1(0, \theta), 0, \theta)), & \text{if either } \alpha \leq \hat{\alpha}_c \text{ and } \theta = c \\ & \text{or } \alpha \leq \hat{\alpha}_{c-\alpha} \text{ and } \theta = c - \alpha. \\ (x_{\min}(x_1(0, \theta), 0, \theta), x_{\max}(x_1(0, \theta), 0, \theta)), & \text{otherwise,} \end{cases} \quad (\text{B.7})$$

then:

$$x_1 \in A_\theta \Rightarrow \mu(x_1, x_1(0, \theta), 0, \theta) < 1, \quad (\text{B.8})$$

$$x_1 \notin A_\theta \Rightarrow \mu(x_1, x_1(0, \theta), 0, \theta) = 1. \quad (\text{B.9})$$

(B.4) Proofs of Propositions 1 and 2. Let (x'_1, μ') , (x''_1, μ'') and $(\hat{x}_1, \hat{\mu})$ be such that:

$$x'_1 \in [x_{\min}(x_1(0, c), 0, c), x_{\max}(x_1(0, c), 0, c)], \quad \mu' \geq \mu(x'_1, x_1(0, c), 0, c),$$

$$x''_1 \in [x_{\min}(x_1(0, c - \alpha), 0, c - \alpha), x_{\max}(x_1(0, c - \alpha), 0, c - \alpha)], \quad \mu'' \geq \mu(x''_1, x_1(0, c - \alpha), 0, c - \alpha),$$

$$\hat{\mu} < 1 \text{ and } \mu(\hat{x}_1, x'_1, \mu', c) = \hat{\mu} = \mu(\hat{x}_1, x''_1, \mu'', c - \alpha).$$

Note that: $\mu(x_1, x'_1, \mu', c) = \mu(x_1, \hat{x}_1, \hat{\mu}, c)$ and $\mu(x_1, x''_1, \mu'', c - \alpha) = \mu(x_1, \hat{x}_1, \hat{\mu}, c - \alpha)$.

For any $x_1 \in [x_{\min}(\hat{x}_1, \hat{\mu}, \theta), x_{\max}(\hat{x}_1, \hat{\mu}, \theta)]$, $\theta \in \Theta$, let $\mu(x_1, \hat{x}_1, \hat{\mu}, \theta)$ be the relevant root of:

$$\hat{\Pi}_1(x_1, \mu, \theta) = \hat{\Pi}_1(\hat{x}_1, \hat{\mu}, \theta)$$

Differentiating this equation we get:

$$\frac{\partial \mu(x_1, \hat{x}_1, \hat{\mu}, \theta)}{\partial x_1} = - \frac{\partial \hat{\Pi}_1(x_1, \mu, \theta) / \partial x_1}{\partial \hat{\Pi}_1(x_1, \mu, \theta) / \partial \mu}$$

that is, from (A.2) and (A.3):

$$\frac{\partial \mu(x_1, \hat{x}_1, \hat{\mu}, c)}{\partial x_1} = \frac{-40x_1 + 8(2 + \mu\alpha)}{8\alpha x_1 + 2\alpha(2 + \mu\alpha)},$$

$$\frac{\partial \mu(x_1, \hat{x}_1, \hat{\mu}, c - \alpha)}{\partial x_1} = \frac{-40x_1 + 8(2 + \mu\alpha + 3\alpha)}{8\alpha x_1 + 2\alpha(2 + \mu\alpha + 3\alpha)}.$$

Hence:

$$\frac{\partial \mu(x_1, \hat{x}_1, \hat{\mu}, c)}{\partial x_1} = \frac{\partial \mu(x_1, \hat{x}_1, \hat{\mu}, c - \alpha)}{\partial x_1} + \frac{2^2 3^3 x_1}{(4x_1 + 2 + \mu\alpha)(4x_1 + 2 + \mu\alpha + 3\alpha)}. \quad (\text{B.10})$$

Since

$$\frac{\partial \mu(x_1, \hat{x}_1, \hat{\mu}, c)}{\partial x_1} > \frac{\partial \mu(x_1, \hat{x}_1, \hat{\mu}, c - \alpha)}{\partial x_1},$$

then $(\hat{x}_1, \hat{\mu})$ is the unique pair satisfying the two conditions $\hat{\mu} < 1$ and $\mu(x_1, \hat{x}_1, \hat{\mu}, c) = \hat{\mu} = \mu(x_1, \hat{x}_1, \hat{\mu}, c - \alpha)$ for $x = \hat{x}_1$. (B.10) and the continuity of the functions $\mu(x_1, \dots, \theta)$, $\theta \in \Theta$, imply Proposition 2.

APPENDIX C: PROOF OF PROPOSITION 3

The logic underlying the construction of a separating equilibrium is illustrated on Figure 2, where the profit functions $\hat{\Pi}_1(x_1, \mu, \theta)$ are represented as functions of x_1 .

Figure 2 about here

The curves (1), (2), and (3) correspond respectively to $\hat{\Pi}_1(x_1, 1, c - \alpha)$, to $\hat{\Pi}_1(x_1, \mu, c - \alpha)$ for $0 < \mu < 1$, and to $\hat{\Pi}_1(x_1, 0, c - \alpha)$, that is, respectively, to the profits of the low cost Firm 1 when rightly identified by Firm 2 ($\mu = 1$), when some doubt subsists about its type ($0 < \mu < 1$) and when wrongly identified as the high cost type ($\mu = 0$). Curves (1'), (2'), and (3') correspond respectively to $\hat{\Pi}_1(x_1, 1, c)$, $\hat{\Pi}_1(x_1, \mu, c)$ for $0 < \mu < 1$, and to $\hat{\Pi}_1(x_1, 0, c)$, that is, respectively, to the profits of the high cost type Firm 1 when wrongly identified as the low cost type, when not clearly distinguished from its low cost twin and when rightly identified as of the high cost type. Curve (4) is the locus of maxima of the functions $\hat{\Pi}_1(x_1, \mu, \theta)$, $\theta \in \Theta$. Remember that in a separating equilibrium the two types of Firm 1 choose different locations, that is

$$\mathcal{X}_{1\theta}^* \cap \mathcal{X}_{1\theta'}^* = \emptyset, \theta \neq \theta'. \text{ Hence } \forall \theta \in \Theta, \forall x_{1\theta}^* \in \mathcal{X}_{1\theta}^* : \mu^*(c - \alpha | x_{1\theta}^*) = \delta(\theta).$$

Consider first the high cost type and suppose that $x_1 \neq x_1(0, c)$ and $x_1 \in \mathcal{X}_{1c}^*$. Trivially, $\hat{\Pi}_1(x_1, 0, c) < \hat{\Pi}_1(x_1(0, c), 0, c) < \hat{\Pi}_1(x_1(0, c), \mu, c)$ if $\mu > 0$. Since at $x_1 \in \mathcal{X}_{1c}^*$, Firm 1 of the high cost type must be rightly identified as such, the above inequality implies that deviating from x_1 to $x_1(0, c)$ would be profitable, whatever the posteriors of Firm 2 observing the deviation. Hence, the only possible equilibrium location of the high cost type of Firm 1 is $x_1(0, c)$, which implies that for this type mixed strategies are forbidden. In order that $x_1(0, c)$ be the equilibrium location of the high cost type, the posteriors induced by any off-the-equilibrium location $x_1 \neq x_1(0, c)$, $\mu^*(c - \alpha | x_1)$, must be at most equal to $\mu(x_1, x_1(0, c), 0, c)$, that is, strictly less than 1 on the interval A_c (see (B.7) and (B.8)).

Consider the low cost type. Its equilibrium location may not be within $[0, x_{\min}(x_1(0, c - \alpha), 0, c - \alpha)) \cup (x_{\max}(x_1(0, c - \alpha), 0, c - \alpha), 1/2]$, since in this interval $\hat{\Pi}_1(x_1, 1, c - \alpha) < \hat{\Pi}_1(x_1(0, c - \alpha), 0, c - \alpha) < \hat{\Pi}_1(x_1(0, c - \alpha), \mu, c - \alpha)$, $0 < \mu$. A deviation from any given x_1 in the above interval to $x_1(0, c - \alpha)$ would be profitable, whatever the posteriors of Firm 2 observing the deviation. Note also that its equilibrium location may not be within the interval A_c , since for any alleged equilibrium location x_1 in this interval, we would have: (1) $\mu^*(c - \alpha | x_1) < 1$ (in order that the high cost type stays at $x_1(0, c)$) and (2) $\mu^*(c - \alpha | x_1) = 1$ (in order that

the low cost type be rightly identified as such). Because $x_{\min}(x_1(0, c), 0, c) < x_{\min}(x_1(0, c - \alpha), 0, c - \alpha)$ and $x_{\max}(x_1(0, c), 0, c) \leq x_{\max}(x_1(0, c - \alpha), 0, c - \alpha)$, the whole interval $[0, x_{\max}(x_1(0, c), 0, c)]$ is excluded. Hence, we are left with the sole interval $[x_{\max}(x_1(0, c), 0, c), x_{\max}(x_1(0, c - \alpha), 0, c - \alpha)]$. This interval is nonempty, provided that $\mu(x_{\max}(x_1(0, c), 0, c), x_1(0, c), 0, c) = 1$, which is the case if $\alpha \leq \hat{\alpha}_c$. In this case, $\hat{\Pi}_1(x_1, 1, c - \alpha)$ is decreasing on this interval so that the low cost type may not randomize over several locations, that is to say, mixed strategies are also forbidden for the low cost type. Any location within this last interval may be the equilibrium location of the low cost type, provided that for any off-the-equilibrium location $x_1, \mu^*(c - \alpha | x_1) \leq \mu(x_1, x_{1c-\alpha}^*, 1, c - \alpha)$.

Let us now turn to the working of D1. We first show that any equilibrium $x_{1c-\alpha}^* > x_{\max}(x_1(0, c - \alpha), 0, c - \alpha)$ is destroyed by D1. For such a location, consider any alternative location $x_1^* \in (x_{\max}(x_1(0, c), 0, c), x_{1c-\alpha}^*)$. First, we have $\mu(x_1^*, x_1(0, c), 0, c) = \mu(x_1^*, x_{1c}^*, 0, c) = 1$. Second, since $\hat{\Pi}_1(x_1, 1, c - \alpha)$ is decreasing on $(x_{\max}(x_1(0, c), 0, c), x_{1c-\alpha}^*)$, then $\mu(x_1^*, x_{1c-\alpha}^*, 1, c - \alpha) < 1$. Therefore, observing x_1^* , Firm 2 should conclude, according to D1, that it is facing the low cost type. But $\hat{\Pi}_1(x_1^*, 1, c - \alpha) > \hat{\Pi}_1(x_{1c-\alpha}^*, 1, c - \alpha) = \hat{\Pi}_1^*(c - \alpha)$ implies that the deviation is profitable for the low cost type. Let us now show that $x_{1c-\alpha}^* = x_{\max}(x_1(0, c), 0, c)$ is robust to D1. For this equilibrium location, the above kind of deviation is no more allowed. Consider first deviations either in $[0, x_{\min}(x_1(0, c), 0, c)]$ or in $(x_{1c-\alpha}^*, 1/2]$: no type would gain, whatever the posterior beliefs of Firm 2. Consider now deviations x_1^* within $(x_{\min}(x_1(0, c), 0, c), x_{1c-\alpha}^*)$: from Proposition 2 (substitute $x_{1c-\alpha}^* = x_{\max}(x_1(0, c), 0, c)$ for \hat{x}_1 in (25), note that $\mu(x_{1c-\alpha}^*, x_1(0, c), 0, c) = \mu^*(c - \alpha | x_{1c-\alpha}^*) = 1 = \hat{\mu}$ and apply (26)), we get $\mu(x_1^*, x_{1c}^*, 0, c) < \mu(x_1^*, x_{1c-\alpha}^*, 1, c - \alpha)$, so that, according to D1, Firm 2 should conclude that it is facing the high cost Firm 1. Since $\hat{\Pi}_1(x_{1c-\alpha}^*, 1, c - \alpha) > \hat{\Pi}_1(x_{1c-\alpha}^*, \mu(x_{1c-\alpha}^*, x_1(0, c - \alpha), 0, c - \alpha), c - \alpha) = \hat{\Pi}_1(x_1(0, c - \alpha), 0, c - \alpha) \geq \hat{\Pi}_1(x_1^*, 0, c - \alpha)$, such a deviation would imply a loss for the low cost type. As for the high cost type we have $\hat{\Pi}_1(x_1^*, 0, c) \leq \hat{\Pi}_1(x_1(0, c), 0, c)$, with the strict inequality if $x_1^* \neq x_1(0, c)$, so that the deviation is worthless.

APPENDIX D: PROOF OF PROPOSITION 4

In a pooling equilibrium, the equilibrium locations chosen by the two types of Firm 1 are the same, $X_{1\theta}^* = X_1^*$, $\theta \in \Theta$, and if mixed strategies are used, the probabilities with which the two types randomize over X_1^* are the same so that observing any $x_1^* \in X_1^*$, the posterior beliefs of Firm 2 must be equal to the priors: $\mu^*(c - \alpha | x_1^*) = \pi$. Thus, the equilibrium profits of the high and low cost types amount respectively to $\hat{\Pi}_1(x_1^*, \pi, c)$ and $\hat{\Pi}_1(x_1^*, \pi, c - \alpha)$.

For each type θ , the equilibrium profits must be at least equal to $\hat{\Pi}_1(x_1(0, \theta), 0, \theta)$ that type θ would obtain by choosing the location maximizing its profit when perceived, right or wrong, as the high cost type.

If not, the type θ in question would be sure to obtain higher profits by deviating from the alleged equilibrium to $x_1(0, \theta)$ (the argument is the same as for separating equilibria, but as we shall see, the consequences differ because we are looking for a different kind of equilibrium). Hence, for any prior $\pi \in (0, 1)$, any equilibrium location must be within the following interval A :

$$A = \bigcap_{\theta \in \Theta} A_\theta \quad (D.1)$$

that is:

$$A = \begin{cases} (x_{\min}(x_1(0, c - \alpha), 0, c - \alpha), x_{\max}(x_1(0, c), 0, c)), & \text{if } \alpha \leq \hat{\alpha}_c, \\ (x_{\min}(x_1(0, c - \alpha), 0, c - \alpha), 1/2), & \text{otherwise.} \end{cases} \quad (D.2)$$

In order that a location $x_1^* \in A$ be an equilibrium location, it is necessary that π be at least equal to $\max\{\mu(x_1^*, x_1(0, \theta), 0, \theta), \theta \in \Theta\}$ and that for any off-the-equilibrium location x_1' , the posterior beliefs $\mu^*(c - \alpha | x_1')$ not be too high, namely $\mu^*(c - \alpha | x_1') \leq \min\{\mu(x_1', x_1^*, \pi, \theta), \theta \in \Theta\}$. If either one of these conditions were to fail for some type θ , this type would deviate profitably from x_1^* to either $x_1(0, \theta)$ or x_1' , according to whether it is the first or the second condition which is not met. It is important to note that $\max\{\mu(x_1, x_1(0, \theta), 0, \theta), \theta \in \Theta\}$ is strictly positive for any $x_1 \in A$, so that the lower bound of the range of values of π for which pooling equilibria exist, is strictly positive. On the other hand, there is no restriction on the range of values of the cost discrepancy α . If the play is in pure strategies, the above conditions are also sufficient.

Let us remark that if both types of Firm 1 were playing mixed strategies, that is, randomizing over locations x_1', x_1'', \dots , the profits of each type would have to be the same at each one of these locations:

$$\hat{\Pi}_1(x_1', \pi, \theta) = \hat{\Pi}_1(x_1'', \pi, \theta) = \dots, \theta \in \Theta, \quad (D.3)$$

given that x_1', x_1'', \dots are all within the interval A and that π satisfies the condition laid down in the last paragraph for each one of these locations. Let us also remark that since $\hat{\Pi}_1(x_1, \pi, \theta)$ is concave in x_1 , then equation (D3) can be verified for a type θ by at most two different locations. But if two locations verify (D3) for some type θ , then the same locations do not verify (D3) for the other type $\theta' \neq \theta$. It is an immediate consequence from Proposition 2. Substitute in (23) x_1' for \hat{x}_1 , π for $\hat{\mu}$, x_1' for \hat{x}_1' , x_1'' and π for $\hat{\mu}'$ and $\hat{\mu}''$. Then it follows from (26) and (27) that if $x_1'' \neq x_1'$ and $\{x_1'', x_1'\} \subseteq A$, then $\mu(x_1'', x_1', \pi, c) \neq \mu(x_1'', x_1', \pi, c - \alpha)$, so that x_1'' cannot be another equilibrium location. Hence, pooling equilibria must be pure strategy equilibria.

Let us now show how the D1 refinement may be used in order to eliminate either all the pooling equilibria, or all the pooling equilibria but one, depending on the values of π and α . From Cho and Sobel's results, we know that in the present model there is for each situation (π, α) a unique PBE robust

to D1. Hence, since we have already identified for each $\alpha \in (0, \hat{\alpha}_c]$ and each $\pi \in (0, 1)$ a separating equilibrium robust to D1, no pooling equilibrium survives D1 in this region. So let us concentrate on the region where $\alpha > \hat{\alpha}_c$. In this region, we have $x_{\max}(x_1(0, c), 0, c) = x_{\max}(x_1(c - \alpha), 0, c - \alpha) = 1/2$. Let us first show that if a location $\hat{x}_1^* < 1/2$ is an equilibrium location, implying that the prior $\hat{\pi}$ satisfy $\hat{\pi} \geq \max\{\mu(\hat{x}_1^*, x_1(0, \theta), 0, \theta), \theta \in \Theta\}$, this equilibrium does not survive D1. Consider any alternative location $x_1' \in (\hat{x}_1^*, x_{\max}(\hat{x}_1^*, \hat{\pi}, c))$. From Proposition 2 we know that for such a deviation we have $\mu(x_1', \hat{x}_1^*, \hat{\pi}, c - \alpha) < \mu(x_1', \hat{x}_1^*, \hat{\pi}, c)$. Hence observing x_1' , Firm 2 should conclude, according to D1, that it is facing the low cost type of Firm 1. Then from $x_1' < x_{\max}(\hat{x}_1^*, \hat{\pi}, c) \leq x_{\max}(\hat{x}_1^*, \hat{\pi}, c - \alpha)$, we have $\hat{\Pi}_1(x_1', 1, c - \alpha) > \hat{\Pi}_1(\hat{x}_1^*, \hat{\pi}, c - \alpha)$, so that Firm 1 of the low cost type will deviate. Last, let us show that any equilibrium $x_1^* = 1/2$, with priors $\pi \geq \max\{\mu(1/2, x_1(0, \theta), 0, \theta) \mid \theta \in \Theta\}$, is robust to D1. For any deviation $x_1' \in [0, x_{\min}(x_1(0, c), 0, c)]$, we have $\hat{\Pi}_1(x_1', \mu, \theta) < \hat{\Pi}_1(1/2, \pi, \theta)$, $\theta \in \Theta$, $\mu \in [0, 1]$, hence no type will deviate. For deviation $x_1' \in (x_{\min}(0, c), 0, c), 1/2)$, we get from Proposition 2: $\mu(x_1', 1/2, \pi, c) < \mu(x_1', 1/2, \pi, c - \alpha)$. Therefore according to D1, Firm 2 should conclude that it is facing the high cost type of Firm 1. Then $\hat{\Pi}_1(x_1', 0, \theta) \leq \hat{\Pi}_1(x_1(0, c), 0, \theta) \leq \hat{\Pi}_1(1/2, \pi, \theta)$, $\theta \in \Theta$, so that no type will deviate.

APPENDIX E: PROOF OF PROPOSITION 5

In a semi-separating equilibrium, the supports of the strategies chosen by the two types intersect and for one type at least, the support is larger than the intersection.

(E1) Characterization of the set of semi-separating equilibria.

As for separating and pooling equilibria, any location x_1 played at equilibrium by the type θ , $\theta \in \Theta$, must be such that $\hat{\Pi}_1(x_1, \mu^*(c - \alpha | x_1), \theta)$ is at least equal to $\hat{\Pi}_1(x_1(0, \theta), 0, \theta)$. Hence, any one of these locations must be within \hat{A}_θ the closure of A_θ defined in (B.7):

$$\hat{A}_\theta = [x_{\min}(x_1(0, \theta), 0, \theta), x_{\max}(x_1(0, \theta), 0, \theta)]. \quad (E.1)$$

However, if x_1^* is a location chosen by both types, then x_1^* must be within A_θ since the Bayesian posterior belief $\mu^*(c - \alpha | x_1^*)$ is strictly less than 1:

$$\mu^*(c - \alpha | x_1^*) = \frac{\pi \nu_1(x_1^* | c - \alpha)}{\pi \nu_1(x_1^* | c - \alpha) + (1 - \pi) \nu_1(x_1^* | c)} < 1. \quad (E.2)$$

Suppose now that there exist two locations x_1'' and x_1''' both played by the two types of Firm 1 at equilibrium. For these two locations we must have:

$$\hat{\Pi}_1(x_1'', \mu^*(c - \alpha | x_1''), \theta) = \hat{\Pi}_1(x_1''', \mu^*(c - \alpha | x_1'''), \theta), \quad \theta \in \Theta. \quad (E.3)$$

But from Proposition 1, it is clearly impossible that this equality be verified for both types. Hence, in any semi-separating equilibria one and only one location is played by both types.

(E1a) Let us first examine the case where the high cost type is randomizing and the low cost type plays in pure strategy the location x_1^* also played by the other type.

Consider first the high cost type. Since for any location x_1^* specific to this type at equilibrium the high cost Firm 1 is perfectly identified, only one such location exists, the location maximizing the high cost type profit when rightly identified:

$$x_{1c}^* = x_1(0, c). \quad (\text{E.4})$$

The Bayesian posterior belief of Firm 2 observing x_1^* is equal to:

$$\mu^*(c - \alpha | x_1^*) = \frac{\pi}{\pi + (1 - \pi)\nu_1(x_1^* | c)} < 1. \quad (\text{E.5})$$

Whatever $\mu^*(c - \alpha | x_1^*) < 1$, there exists a probability $\nu_1(x_1^* | c) \in (0, 1)$ satisfying (E.5) if $\pi < \mu^*(c - \alpha | x_1^*)$. The high cost type must be indifferent between x_1^* and x_{1c}^* :

$$\hat{\Pi}_1(x_1(0, c), 0, c) = \hat{\Pi}_1(x_1^*, \mu^*(c - \alpha | x_1^*), c); \quad (\text{E.6})$$

hence:

$$x_1^* \in \bar{A}_c \text{ and } \mu^*(c - \alpha | x_1^*) = \mu(x_1^*, x_1(0, c), 0, c). \quad (\text{E.7})$$

Last, in order that the high cost type does not deviate to any off-the-equilibrium location $x_1 \notin \{x_{1c}^*, x_1^*\}$, the posteriors must verify:

$$\mu^*(c - \alpha | x_1) \leq \mu(x_1, x_1(0, c), 0, c). \quad (\text{E.8})$$

Consider now the low cost type. In order that it does not deviate from x_1^* to $x_1(0, c)$, we must have:

$$\mu^*(c - \alpha | x_1^*) \geq \mu(x_1^*, x_1(0, c - \alpha), 0, c - \alpha) \text{ and } x_1^* \in \bar{A}_{c - \alpha}. \quad (\text{E.9})$$

Any deviation to an off-the-equilibrium location $x_1 \neq x_1^*$ is prevented by posteriors satisfying:

$$\mu^*(c - \alpha | x_1) \leq \mu(x_1, x_1^*, \mu^*(c - \alpha | x_1^*), c - \alpha). \quad (\text{E.10})$$

From Proposition 2 and the definition of \hat{x}_1 as the location x_1 satisfying $\mu(x_1, x_1(0, c), 0, c) = \mu(x_1, x_1(0, c - \alpha), 0, c - \alpha)$, the two conditions (E.7) and (E.9) can be met iff $x_1^* \in \{\hat{x}_1, x_{\max}(x_1(0, c), 0, c)\}$. In this case all other conditions are satisfied, provided that $\pi < \mu^*(c - \alpha | x_1^*) = \mu(x_1^*, x_1(0, c), 0, c)$.

(E1b) Let us examine now the equilibria where the low cost type randomizes and the high cost type plays a pure strategy x_1^* .

Consider first the low cost type. The common location x_1^* and all its specific locations $x_{1c-\alpha}''', x_{1c-\alpha}''', \dots$ must be within $\bar{A}_{c-\alpha}$:

$$x_1^*, x_{1c-\alpha}''', x_{1c-\alpha}''', \dots \in \bar{A}_{c-\alpha}. \quad (\text{E.11})$$

The posterior of Firm 2 observing x_1^* now takes the following form:

$$\mu^*(c - \alpha | x_1^*) = \frac{\pi \nu_1(x_1^* | c - \alpha)}{\pi \nu_1(x_1^* | c - \alpha) + (1 - \pi)} < 1. \quad (\text{E.12})$$

For any given $\mu^*(c - \alpha | x_1^*) < 1$, there exists a randomization $\nu_1(x_1^* | c - \alpha)$ satisfying (E.12) iff $\pi > \mu^*(c - \alpha | x_1^*)$. Since all the locations give to the type $c - \alpha$ the same profit, then:

$$\hat{\Pi}_1(x_1^*, \mu^*(c - \alpha | x_1^*), c - \alpha) = \hat{\Pi}_1(x_{1c-\alpha}''', 1, c - \alpha) = \hat{\Pi}_1(x_{1c-\alpha}''', 1, c - \alpha) = \dots \quad (\text{E.13})$$

Hence, there may be at most two specific locations, the first one being $x_{1c-\alpha}'' < \min\{x_1^*, x_1(1, c - \alpha)\}$. Note that if $\alpha \geq 1/8$, $x_{\max}(x_1(0, c - \alpha), 0, c - \alpha) = x_1(1, c - \alpha)$, so that for those values of α there exists only one specific location $x_{1c-\alpha}'' < \min\{x_1^*, x_1(1, c - \alpha)\}$. (E.11) and (E.13) imply that:

$$\mu^*(c - \alpha | x_1^*) = \mu(x_1^*, x_{1c-\alpha}''', 1, c - \alpha) = \mu(x_1^*, x_{1c-\alpha}''', 1, c - \alpha) \quad (\text{E.14})$$

$$x_1^* \in [x_{\min}(x_{1c-\alpha}''', 1, c - \alpha), x_{\max}(x_{1c-\alpha}''', 1, c - \alpha)] \quad (\text{E.15})$$

where $x_{1c-\alpha}''$ is either the unique specific location or any one of them if two such locations exist. Last, for any off-the-equilibrium location x_1 , the following condition must hold:

$$\mu^*(c - \alpha | x_1) \leq \mu(x_1, x_1^*, \mu^*(c - \alpha | x_1^*), c - \alpha) \quad (\text{E.16})$$

For the high cost type, we must first have:

$$x_1^* \in \bar{A}_c \text{ and } \mu^*(c - \alpha | x_1^*) \geq \mu(x_1^*, x_1(0, c), 0, c). \quad (\text{E.17})$$

If not, the high cost type would deviate from x_1^* to $x_1(0, c)$. For any off-the-equilibrium x_1 the posteriors must be such that:

$$\mu^*(c - \alpha | x_1) \leq \mu(x_1, x_1^*, \mu^*(c - \alpha | x_1^*), c - \alpha). \quad (\text{E.18})$$

Finally, additional conditions must be satisfied in order that the high cost type does not mimic the low cost type:

$$\hat{\Pi}_1(x_{1c-\alpha}''', 1, c) \leq \hat{\Pi}_1(x_1^*, \mu^*(c - \alpha | x_1^*), c) \quad (\text{E.19})$$

$$\hat{\Pi}_1(x_{1c-\alpha}^{\prime\prime}, 1, c) \leq \hat{\Pi}_1(x_1^*, \mu^*(c - \alpha|x_1^*), c). \quad (E.20)$$

Therefore, the specific location $x_{1c-\alpha}^{\prime\prime} < x_1(1, c - \alpha)$ must satisfy:

$$x_{1c-\alpha}^{\prime\prime} < x_{\min}(x_1^*, \mu^*(c - \alpha|x_1^*), c) \quad (E.21)$$

implying that:

$$\mu(x_{\min}(x_1^*, \mu^*(c - \alpha|x_1^*), c), x_1^*, \mu^*(c - \alpha|x_1^*), c - \alpha) < \mu(x_{\min}(x_1^*, \mu^*(c - \alpha|x_1^*), c), x_1^*, \mu^*(c - \alpha|x_1^*), c) = 1. \quad (E.22)$$

But from Proposition 2 (with $\dot{x}_1 = x_1' = x_1'' = x^*$, and $\dot{\mu} = \mu' = \mu'' = \mu^*(c - \alpha|x_1^*) < 1$ in (23) and $x_1 = x_{1c-\alpha}^{\prime\prime}$ in (26)) the inequality (E.20) would have to be in the opposite sense. Hence, there may exist only one specific location which we will denote by $x_{1c-\alpha}^*$ and such that $x_{1c-\alpha}^* > x_1(1, c - \alpha)$, implying that α must be less than $1/8$. Now, let $x_{1c-\alpha}^* \in (x_1(1, c - \alpha), x_{\max}(x_1(0, c), 0, c))$. Then from Proposition 2 (with $\dot{\mu} = 1 = \mu^*(c - \alpha|x_{1c-\alpha}^*)$ and $\dot{x}_1 = x_{1c-\alpha}^*$ in (25) and $x_1 = x_1^*$ in (26)), we get for any $x_1^* \in (x_{\min}(x_{1c-\alpha}^*, 1, c), x_{1c-\alpha}^*)$:

$$\mu(x_1^*, x_{1c-\alpha}^*, 1, c) < \mu(x_1^*, x_{1c-\alpha}^*, 1, c - \alpha). \quad (E.23)$$

Hence, if $\nu_1(x_1^*|c - \alpha)$ and π are such that:

$$\mu^*(c - \alpha|x_1^*) = \mu(x_1^*, x_{1c-\alpha}^*, 1, c - \alpha), \quad (E.24)$$

then:

- the high cost type does not mimic the low cost type (by (E.23)), and,
- since $x_{1c-\alpha}^* < x_{\max}(x_1(0, c), 0, c)$, then $\mu(x_{1c-\alpha}^*, x_1(0, c), 0, c) < \mu(x_{1c-\alpha}^*, x_{1c-\alpha}^*, 1, c) = 1$, implying that $\mu(x_1^*, x_1(0, c), 0, c) < \mu(x_1^*, x_{1c-\alpha}^*, 1, c) < \mu(x_1^*, x_{1c-\alpha}^*, 1, c - \alpha) = \mu^*(c - \alpha|x_1^*)$, so that (E.17) is also satisfied.

Last, suppose that $\alpha \in (0, \hat{\alpha}_c)$, so that $x_{\max}(x_1(0, c), 0, c) \leq x_{\max}(x_1(0, c - \alpha), 0, c - \alpha)$ (with the strict inequality if $x < \alpha_c$) and consider a location $x_{1c-\alpha}^* \in (x_{\max}(x_1(0, c), 0, c), x_{\max}(x_1(0, c - \alpha), 0, c - \alpha))$. In (23), let $\dot{x}_1 = \bar{x}_1(x_{1c-\alpha}^*)$, $x_1' = x_1(0, c)$, $x_1'' = x_1(0, c - \alpha)$ and $\dot{\mu} = \mu(x_1^*, x_1(0, c), 0, c) = \mu(x_1^*, x_{1c-\alpha}^*, 1, c - \alpha)$, $\mu' = 0$, $\mu'' = 0$. From Proposition 2, we get for any x_1^* satisfying (E.11) and (E.18):

$$\mu(x_1^*, \bar{x}_1(x_{1c-\alpha}^*), \dot{\mu}, c) \leq (>) \mu(x_1^*, \bar{x}_1(x_{1c-\alpha}^*), \dot{\mu}, c - \alpha) = \mu(x_1^*, x_{1c-\alpha}^*, 1, c - \alpha) \text{ iff } x_1^* \leq (>) \bar{x}_1(x_{1c-\alpha}^*). \quad (E.25)$$

Hence, if $x_1^* \leq \bar{x}_1(x_{1c-\alpha}^*)$ and $\pi > \mu(x_1^*, \bar{x}_1(x_{1c-\alpha}^*), \dot{\mu}, c - \alpha)$, then $\nu_1(x_1^*|c - \alpha)$ may be chosen so that:

$$\mu^*(x_1^*|c - \alpha) = \mu(x_1^*, x_{1c-\alpha}^*, 1, c - \alpha). \quad (E.26)$$

Thus, recapitulating:

$$\mu^*(c - \alpha|x_1^*) = \mu(x_1^*, \bar{x}_1(x_{1c-\alpha}^*), 1, c - \alpha) = \mu(x_1^*, x_{1c-\alpha}^*, 1, c\alpha) > \mu(x_1^*, x_1(0, c), 0, c). \quad (E.27)$$

Hence (E.17) is satisfied. Since $x_{1c-\alpha}^* \geq x_{\max}(x_1(0, c), 0, c)$, the high cost type does not mimic the low cost type. Clearly, we may not choose x_1^* in the interval $(\bar{x}_1(x_{1c-\alpha}^*), x_{\max}(x_1(0, c), 0, c))$, since by (E.25) we would have $\mu(x_1^*, x_1(0, c), 0, c) > \mu(x_1^*, x_{1c-\alpha}^*, 1, c - \alpha)$, so that both (E.14) and (E.17) would not be satisfied.

(E1c) Last, consider the equilibria when both types randomize.

For the high cost type there may only be one specific location:

$$x_{1c}^* = x_1(0, c) \quad (E.28)$$

and the common location must satisfy:

$$x_1^* \in \bar{A}_c \text{ and } \mu^*(c - \alpha|x_1^*) = \mu(x_1^*, x_1(0, c), 0, c). \quad (E.29)$$

For the low cost type, there may be at most two specific locations, because at each location including the common one, the profit must be the same:

$$x_{1c-\alpha}^{\prime\prime} = x_{\min}(x_1^*, \mu^*(c - \alpha|x_1^*), c - \alpha) \text{ and } x_{1c-\alpha}^{\prime\prime} = x_{\max}(x_1^*, \mu^*(c - \alpha|x_1^*), c - \alpha) \quad (E.30)$$

with:

$$x_1^*, x_{1c-\alpha}^{\prime\prime}, x_{1c-\alpha}^{\prime\prime} \in \bar{A}_{c-\alpha}. \quad (E.31)$$

Note that in the present case $\mu^*(c - \alpha|x_1^*)$ is given by:

$$\mu^*(c - \alpha|x_1^*) = \frac{\pi \nu_1(x_1^*|c - \alpha)}{\pi \nu_1(x_1^*|c - \alpha) + (1 - \pi) \nu_1(x_1^*|c)} \quad (E.32)$$

so that whatever π , there exists a whole range of randomizations $\{\nu_1(x_1^*|c - \alpha), \nu_1(x_1^*|c)\}$ satisfying (E.32).

Let us now examine the self-selection constraint for the high cost type. In order that the high cost type does not deviate from either $x_1(0, c)$ or x_1^* to either $x_{1c-\alpha}^{\prime\prime}$ or $x_{1c-\alpha}^{\prime\prime}$, these last two locations must be: - outside $(x_{\min}(x_1(0, c), 0, c), x_{\max}(x_1(0, c), 0, c))$ if $\alpha < \hat{\alpha}_c$, since for such values of α ,

$x_{\max}(x_1(0, c), 0, c) \leq 1/2$; - outside $(x_{\min}(x_1(0, c), 0, c), 1/2)$ if $\alpha \geq \hat{\alpha}_c$, since for such values of α , $x_{\max}(x_1(0, c), 0, c) = 1/2$ and $\mu(1/2, x_1(0, c), 0, c) \leq 1$ (the strict inequality if $\alpha > \hat{\alpha}_c$). Hence, from $x_{1c-\alpha}^* \geq x_{\min}(x_1(0, c - \alpha), 0, c - \alpha) > x_{\min}(x_1(0, c), 0, c)$ (the first inequality form (E.31)), we conclude that the candidate specific location $x_{1c-\alpha}^*$ cannot meet the constraints, whatever α . We are thus left with only one candidate specific location $x_{1c-\alpha}^* = x_{\max}(x_1^*, \mu^*(c - \alpha|x_1^*), c - \alpha)$. However, if $\alpha > \hat{\alpha}_{c-\alpha}$ then $x_{\max}(x_1(0, c - \alpha), 0, c - \alpha) = 1/2 = x_{\max}(x_1(0, c), 0, c)$, so that the only remaining candidate is also eliminated. Hence: - if $\alpha > \hat{\alpha}_c$, there exists no semi-separating equilibrium where both types randomize; - if $\alpha \leq \hat{\alpha}_c$, the low cost type randomizes over two and only two locations:

$$x_1^* \text{ and } x_{1c-\alpha}^* = x_{\max}(x_1^*, \mu^*(c - \alpha|x_1^*), c - \alpha). \quad (\text{E.33})$$

Now, let us suppose that $\alpha < \hat{\alpha}_{c-\alpha}$ implying that $x_{\max}(x_1(0, c), 0, c) < x_{\max}(x_1(0, c - \alpha), 0, c - \alpha) \leq 1/2$ (the inequality strict if $\alpha < \hat{\alpha}_{c-\alpha}$) (see Figure 3). From Proposition 2, we deduce that in order that (E.7) and (E.33) be satisfied, it is necessary that:

$$x_1^* \in [\hat{x}_1, x_{\max}(x_1(0, c), 0, c)]. \quad (\text{E.34})$$

Figure 3 about here

Again, applying Proposition 2 (with $\hat{x}_1 = x_1^* = x_1''$ and $\hat{\mu} = \mu(x_1^*, x_1(0, c), 0, c) = \mu' = \mu''$ in (23)), we know that for $x_1 \in (x_1^*, x_{\max}(x_1^*, \mu^*(c - \alpha|x_1^*), c - \alpha))$ then $\mu(x_1, x_1^*, \mu^*(c - \alpha|x_1^*), c) > \mu(x_1, x_1^*, \mu^*(c - \alpha|x_1^*), c - \alpha)$. Hence, by continuity $\mu(x_{\max}(x_1^*, \mu^*(c - \alpha|x_1^*), c - \alpha), x_1^*, \mu^*(c - \alpha|x_1^*), c) \geq \mu(x_{\max}(x_1^*, \mu^*(c - \alpha|x_1^*), c - \alpha), x_1^*, \mu^*(c - \alpha|x_1^*), c - \alpha)$, so that the high cost type is not incited to switch to the low cost specific location $x_{1c-\alpha}^* = x_{\max}(x_1^*, \mu^*(c - \alpha|x_1^*), c - \alpha)$. Also, since $x_1^* \in [\hat{x}_1, x_{\max}(x_1(0, c), 0, c)]$ then $x_{1c-\alpha}^* = x_{\max}(x_1^*, \mu^*(c - \alpha|x_1^*), c - \alpha) \in [x_{\max}(x_1(0, c), 0, c), x_{\max}(x_1(0, c - \alpha), 0, c - \alpha)]$. Last, suppose that $\alpha \in (\hat{\alpha}_{c-\alpha}, \hat{\alpha}_c]$ so that $x_{\max}(x_1(0, c), 0, c) \leq x_{\max}(x_1(0, c - \alpha), 0, c - \alpha) = 1/2$ (the first inequality strict if $\alpha < \hat{\alpha}_c$). See Figure 4.

Figure 4 about here

For any $x_1^* \in [\hat{x}_1, x_{\max}(x_1(0, c), 0, c)]$ we have:

$$x_{\max}(x_1^*, \mu(x_1^*, x_1(0, c), 0, c), c - \alpha) \in [x_{\max}(x_1(0, c), 0, c), 1/2]$$

and

$$\mu(x_{\max}(x_1^*, \mu(x_1^*, x_1(0, c), 0, c), c - \alpha), x_1^*, \mu(x_1^*, x_1(0, c), 0, c), c - \alpha) = 1$$

and for any $x_1^* \in [\hat{x}_1, \bar{x}_1]$:

$$x_{\max}(x_1^*, \mu(x_1^*, x_1(0, c), 0, c), c - \alpha) < 1/2$$

and

$$\mu(1/2, x_1^*, \mu(x_1^*, x_1(0, c), 0, c), c - \alpha) < 1.$$

Hence in this last case, the high cost type would mimic the low cost type. We conclude that the common location x_1^* must be within $[\bar{x}_1, x_{\max}(x_1(0, c), 0, c))$.

(E2) The working of the D1 criterion.

We know from Cho and Sobel's results that no semi-separating equilibrium survives D1 in regions where we have already shown that either a separating equilibrium or a pooling equilibrium survives D1. Therefore, we may restrict the analysis to the region defined by $\alpha > \hat{\alpha}_c$ and $\pi < \mu(1/2, x_1(0, c), 0, c)$. Consider in this region the equilibria in which only the high cost Firm 1 randomizes over the two locations $x_{1c}^* = x_1(0, c)$ and $x_1^* = 1/2$. For any $x'_{1c} \in (x_{\min}(x_1(0, c), 0, c), 1/2)$, we get from Proposition 2:

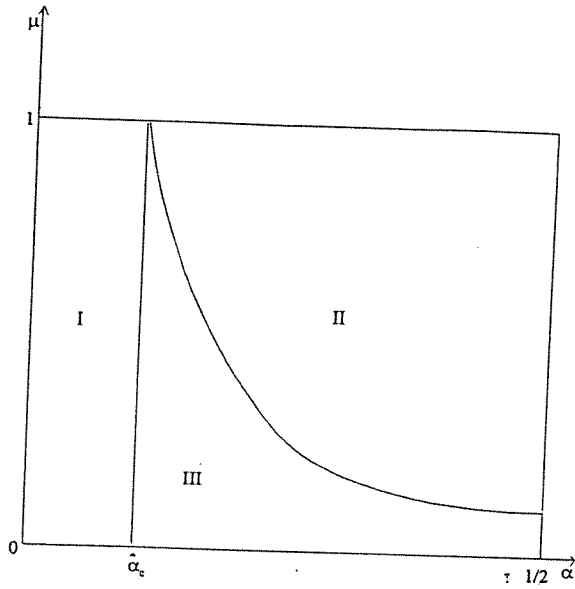
$$\mu(x'_{1c}, 1/2, \mu^*(c - \alpha | 1/2), c) < \mu(x'_{1c}, 1/2, \mu^*(c - \alpha | 1/2), c - \alpha).$$

Hence observing x'_{1c} , Firm 2 should conclude, according to D1, that it is facing the high cost type of Firm 1. Therefore, neither the high cost type nor the low cost type would gain more than its equilibrium profit. For deviations $x'_1 \in [0, x_{\min}(x_1(0, c), 0, c)]$, no type would benefit from the deviation, whatever the posteriors of Firm 2 observing the deviation. We conclude that for the region under consideration, we have identified the unique D1 equilibrium.

References

- [1] Boyer, M., Laffont, J.J. Mahenc, P., Moreaux, M.: Location distortions under incomplete information. *Reg. Sci. Urban Econ.*, 24, 409-440 (1994)
- [2] Carlton, D.W.: A reexamination of delivered pricing systems. *J. Law Econ.* 26 , 51-70 (1983)
- [3] Cho, I.K., Sobel, J.: Strategic stability and uniqueness in signaling games. *J. Econ. Theory* 50, 381-413 (1990)
- [4] D'Aspremont, C., Jaskold-Gabszewicz, J., Thisse, J.F.: On Hotelling stability in competition. *Econometrica* 47, 1145-1150 (1979)
- [5] Greenhut, M.L., Norman, G., Hung, C.S.: *The economics of imperfect competition: a spatial approach.* Cambridge: Cambridge University Press 1987
- [6] Hobbs, B.F.: Mill pricing versus spatial price discrimination under Bertrand and Cournot spatial competition. *J. Ind. Econ.* 35 173-191 (1986)
- [7] Hoover, E.M. Jr.: Spatial price discrimination. *Rev. Econ. Studies* 4, 182-191 (1937)
- [8] Hurter, A.P., Lederer, P.J.: Spatial duopoly with discriminatory pricing. *Reg. Sci. Urban Econ.* 15, 541-553 (1985)
- [9] Jaskold-Gabszewicz, J., Thisse, J.F.: Spatial competition and the location of firms. in Lesourne, J., Sonnenschein, H. (eds.): *Fundamentals of pure and applied economics.* London: Harwood 1986
- [10] Jaskold-Gabszewicz, J., Thisse, J.F.: Location. in Aumann, R.J., Hart, S, (eds): *Handbook of game theory with economic applications.* Amsterdam: North-Holland 1992
- [11] Lederer, P.J., Hurter, A.P.: Competition of firms: discriminatory pricing and location. *Econometrica* 54, 623-640 (1986)
- [12] Milgrom, P., Roberts, J.: Limit pricing and entry under incomplete information: an equilibrium analysis. *Econometrica* 50, 443-459 (1982)
- [13] Thisse, J.F., Vives, X.: On the strategic choice of spatial price policy. *Amer. Econ. Rev.* 78, 122-137 (1988)

Figure 1 : The map of unique D1 location equilibria



in I : for $\theta = c$, $x_1^* = x_1(c, 0)$ and $x_2^* = \frac{1}{3}(x_1^* + 2)$

for $\theta = c - \alpha$, $x_1^* = x_{\max}(c, x_1(c, 0), 0)$ and $x_2^* = \frac{1}{3}(x_1^* + 2 + \alpha)$

in II : $\forall \theta$, $x_1^* = 1/2$ and $x_2^* = \frac{1}{3}(x_1^* + 2 + \pi\alpha)$

in III : for $\theta = c$ $\left\{ \begin{array}{l} \text{with prob. } \nu : x_1^* = x_1(c, 0) \text{ and } x_2^* = \frac{1}{3}(x_1^* + 2) \\ \text{with prob. } (1 - \nu) : x_1^* = 1/2 \text{ and } x_2^* = \frac{1}{3}(x_1^* + 2 + \mu^* \alpha) \end{array} \right.$

for $\theta = c - \alpha$, $x_1^* = 1/2$ and $x_2^* = \frac{1}{3}(x_1^* + 2 + \mu^* \alpha)$.

Figure 2 : The separating location equilibria robust to DI

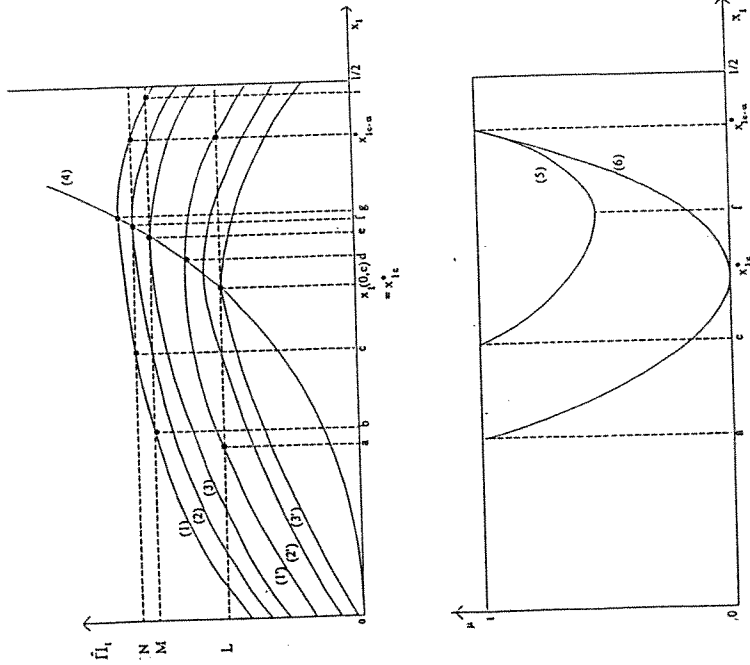


Figure 2

$$\begin{aligned}
 a &= x_{\min}(x_1, (0, c), 0, c) \\
 b &= x_{\min}(x_1, (0, c-\alpha), 0, c-\alpha) \\
 c &= x_{\min}(x_{1c-\alpha}, 1, c-\alpha) \\
 d &= x_1(1, c) \\
 e &= x_1(0, c-\alpha) \\
 f &= x_1(\mu, c-\alpha) \\
 g &= x_1(1, c-\alpha) \\
 i &= x_{\max}(x_1, (0, c-\alpha), 0, c-\alpha)
 \end{aligned}$$

$$\begin{aligned}
 L &= \bar{\Pi}_1(x_1, (0, c), 0, c) \\
 M &= \bar{\Pi}_1(x_1, (0, c-\alpha), 0, c-\alpha) \\
 N &= \bar{\Pi}_1(x_1, (\mu, c-\alpha), \mu, c-\alpha) = \bar{\Pi}_1(x_{1c-\alpha}, 1, c-\alpha)
 \end{aligned}$$

- (1) is $\bar{\Pi}_1(x_1, 1, c-\alpha)$
- (2) is $\bar{\Pi}_1(x_1, \mu, c-\alpha)$
- (3) is $\bar{\Pi}_1(x_1, 0, c-\alpha)$

- (4) is the locus of maxima of the $\bar{\Pi}_1(\cdot, \mu, \theta)$ functions
- (5) is $\mu(x_1, x_{1c-\alpha}, 1, c-\alpha)$
- (6) is $\mu(x_1, x_{1c-\alpha}, 1, c) = \mu(x_1, x_{1c}^*, 0, c)$

Note : The curves (2) and (3') are drawn for $\mu \in (0, 1)$ such that :
 $\bar{\Pi}_1(x_1, (\mu, c-\alpha), \mu, c-\alpha) = \bar{\Pi}_1(x_{\max}(x_1, (0, c), 0, c), 1, c-\alpha)$

Figure 3 : The semi-separating equilibrium where both types randomize : the case $\alpha < \bar{\alpha}_{r-m}$

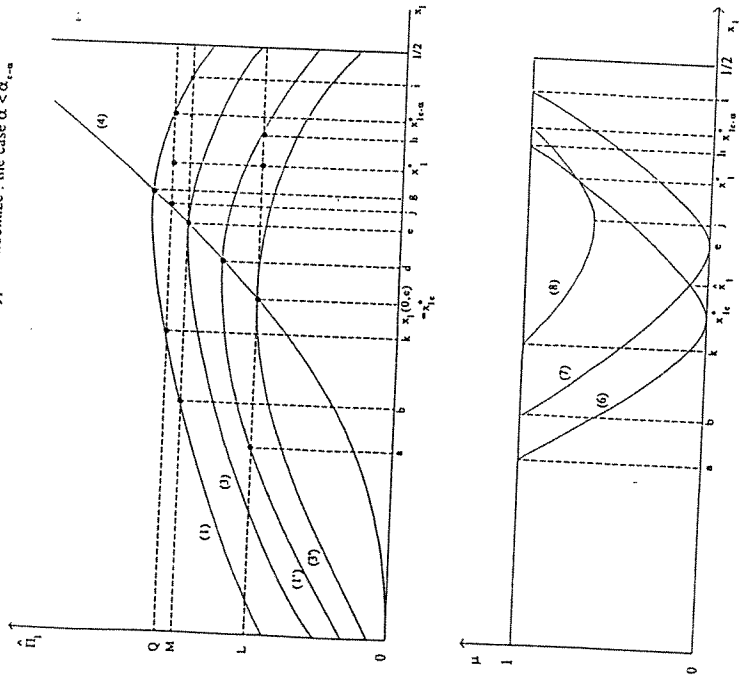


Figure 3

$$\begin{aligned}
 a &= x_{\max}(x_1(0,c),0,c) \\
 b &= x_{\max}(x_1(0,c-\alpha),0,c-\alpha) \\
 d &= x_1(1,c) \\
 e &= x_1(0,c-\alpha) \\
 g &= x_1(1,c-\alpha)
 \end{aligned}$$

$$\begin{aligned}
 L &= \bar{\pi}_1(x_1(0,c),0,c) \\
 M &= \bar{\pi}_1(x_1(0,c-\alpha),0,c-\alpha) \\
 Q &= \bar{\pi}_1(x_1^*,\pi,c-\alpha)
 \end{aligned}$$

$$\begin{aligned}
 i &= x_{\max}(x_1(0,c-\alpha),0,c-\alpha) \\
 j &= \arg \min_{x_1} \mu(x_1, x_{1,c-a}^*, 1, c-\alpha) \\
 k &= x_{\max}(x_1^*, \pi, c-\alpha)
 \end{aligned}$$

- (1) is $\bar{\pi}_1(x_1, 1, c-\alpha)$
- (1') is $\bar{\pi}_1(x_1, 0, c-\alpha)$
- (2) is the locus of maxima of the $\bar{\pi}_1(\cdot, \mu, \theta)$ functions
- (3) is $\mu(x_1, x_{1,c-a}^*, 1, c) = \mu(x_1, x_{1,c-a}^*, 0, c)$
- (4) is $\mu(x_1, x_1(0,c-\alpha), 0, c-\alpha)$
- (6) is $\mu(x_1, x_1^*, \pi, c-\alpha)$
- (7) is $\mu(x_1, x_1^*, \pi, c-\alpha)$
- (8) is $\mu(x_1, x_1^*, \pi, c-\alpha)$

Figure 4 . The semi-separating equilibria where both types randomize : the case $\hat{\alpha}_{i-a} < \alpha < \hat{\alpha}_i$.

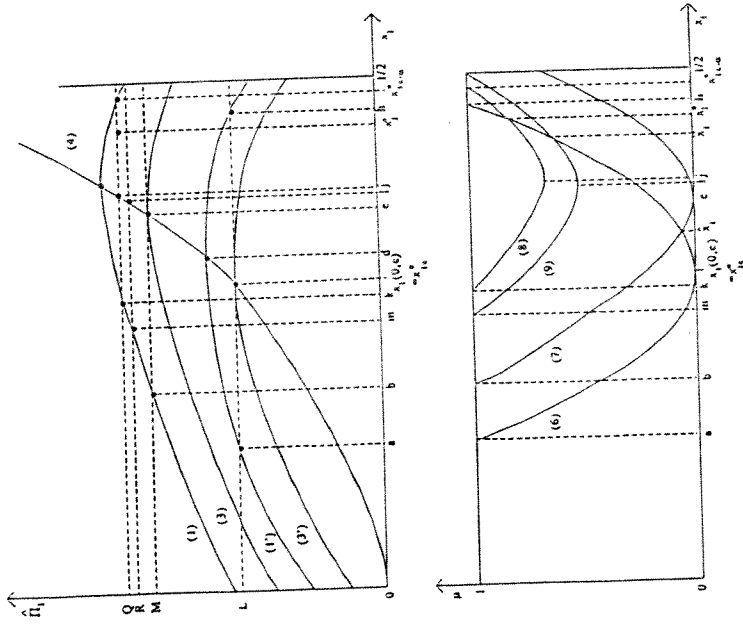


Figure 4

$$\begin{aligned}
 j &= \arg \min_{x_1} \mu(x_1, x_{1-a}^*, c - \alpha) \\
 k &= x_{\max}^*(x_1, \pi, c - \alpha) \\
 l &= \arg \min_{x_1} \mu(x_1, 1/2, c - \alpha) \\
 m &= x_{\max}^*(1/2, c - \alpha)
 \end{aligned}$$

$$\begin{aligned}
 a &= x_{\max}^*(x_1(0,c), 0, c - \alpha) \\
 b &= x_{\max}^*(x_1(0,c - \alpha), 0, c - \alpha) \\
 d &= x_1(1, c) \\
 c &= x_1(0, c - \alpha) \\
 e &= x_{\max}^*(x_1(0, c - \alpha), 0, c - \alpha)
 \end{aligned}$$

$$\begin{aligned}
 L &= \hat{\Pi}_1(x_1(0,c), 0, c) \\
 M &= \hat{\Pi}_1(x_1(0,c - \alpha), 0, c - \alpha) \\
 Q &= \hat{\Pi}_1(x_1, \pi, c - \alpha) \\
 R &= \hat{\Pi}_1(1/2, c - \alpha)
 \end{aligned}$$

$$\begin{aligned}
 (1) & \text{ is } \hat{\Pi}_1(x_1, 1, c) \\
 (3) & \text{ is } \hat{\Pi}_1(x_1, 0, c - \alpha)
 \end{aligned}$$

$$\begin{aligned}
 (1^*) & \text{ is } \hat{\Pi}_1(x_1, 1, c) \\
 (3^*) & \text{ is } \hat{\Pi}_1(x_1, 0, c)
 \end{aligned}$$

(4) is the locus of maxima of the $\hat{\Pi}_1(\cdot, \mu, \theta)$ functions

$$(6) \text{ is } \mu(x_1, x_{1-a}^*, c) = \mu(x_1, x_{1-a}^*, 0, c)$$

$$(7) \text{ is } \mu(x_1, x_1(0, c - \alpha), 0, c - \alpha)$$

$$(8) \text{ is } \mu(x_1, x_1, \pi, c - \alpha)$$

$$(9) \text{ is } \mu(x_1, 1/2, c - \alpha)$$

Université de Montréal
Département de sciences économiques
Centre de documentation
C.P. 6128, succursale Centre-ville
Montréal (Québec)
H3C 3J7

Cahiers de recherche (Discussion papers)
1993 à aujourd'hui (1993 to date)

Si vous désirez obtenir un exemplaire, vous n'avez qu'à faire parvenir votre demande et votre paiement (5 \$ l'unité) à l'adresse ci-haut mentionnée. / To obtain a copy (\$ 5 each), please send your request and prepayment to the above-mentioned address.

- 9301 : Mercenier, Jean, "Nonuniqueness of Solutions in Applied General-Equilibrium Models with Scale Economies and Imperfect Competition : A Theoretical *Curiosum?*", 26 pages.
- 9302 : Lemieux, Thomas, "Unions and Wage Inequality in Canada and in the United States", 66 pages.
- 9303 : Lemieux, Thomas, "Estimating the Effects of Unions on Wage Inequality in a Two-Sector Model with Comparative Advantage and Non-Random Selection", 54 pages.
- 9304 : Harchaoui, Tarek H., "Time-Varying Risks and Returns : Evidence from Mining Industries Data", 20 pages.
- 9305 : Lévy-Garboua, Louis et Claude Montmarquette, "Une étude économétrique de la demande de théâtre sur données individuelles", 40 pages.
- 9306 : Montmarquette, Claude, Rachel Houle et Sophie Mahseredjian, "The Determinants of University Dropouts : A Longitudinal Analysis", 17 pages.
- 9307 : Gaudry, Marc, Benedikt Mandel et Werner Rothengatter, "A Disaggregate Box-Cox Logit Mode Choice Model of Intercity Passenger Travel in Germany", 17 pages.
- 9308 : Fortin, Nicole M., "Borrowing Constraints and Female Labor Supply : Nonparametric and Parametric Evidence of the Impact of Mortgage Lending Rules", 38 pages.
- 9309 : Dionne, Georges, Robert Gagné, François Gagnon et Charles Vanasse, "Debt, Moral Hazard and Airline Safety : an Empirical Evidence", 34 pages.
- 9310 : Dionne, Georges, Anne Gibbens et Pierre St-Michel, "An Economic Analysis of Insurance Fraud", 40 pages.
- 9311 : Gaudry, Marc, "Asymmetric Shape and Variable Tail Thickness in Multinomial Probabilistic Responses to Significant Transport Service Level Changes", 26 pages.
- 9312 : Laferrière, Richard et Marc Gaudry, "Testing the Linear Inverse Power Transformation Logit Mode Choice Model", 29 pages.

- 9313 : Kollmann, Robert, "Fiscal Policy, Technology Shocks and the US Trade Balance Deficit", 38 pages.
- 9314 : Ghysels, Eric, "A Time Series Model with Periodic Stochastic Regime Switching", 54 pages.
- 9315 : Allard, Marie, Camille Bronsard et Lise Salvas-Bronsard, "C^k-Conjugate Expectations and Duality", 22 pages.
- 9316 : Dudley, Leonard et Claude Montmarquette, "Government Size and Economic Convergence", 28 pages.
- 9317 : Bronsard, Camille, "L'histoire de l'économie mathématique racontée à Juliette", 17 pages.
- 9318 : Tremblay, Rodrigue, "The Quest for Competitiveness and Export-Led Growth", 16 pages.
- 9319 : Proulx, Pierre-Paul, "L'ALÉNA", 12 pages.
- 9320 : Proulx, Pierre-Paul, "Le Québec dans l'ALÉNA", 28 pages.
- 9321 : Dionne, Georges, Denise Desjardins, Claire Laberge-Nadeau et Urs Magg, "Medical Conditions, Risk Exposure and Truck Drivers' Accidents : an Analysis with Count Data Regression Models", 20 pages.
- 9322 : Ghysels, Eric, "Seasonal Adjustment and other Data Transformations", 28 pages.
- 9323 : Dufour, Jean-Marie et David Tessier, "On the Relationship between Impulse Response Analysis, Innovation Accounting and Granger Causality", 12 pages.
- 9324 : Dufour, Jean-Marie et Eric Renault, "Causalités à court et à long terme dans les modèles VAR et ARIMA multivariés", 68 pages.
- 9325 : Ghysels, Eric et Alastair Hall, "On Periodic Time Series and Testing the Unit Root Hypothesis", 36 pages.
- 9326 : Campbell, Bryan et Jean-Marie Dufour, "Exact Nonparametric Orthogonality and Random Walk Tests", 28 pages.
- 9327 : Proulx, Pierre-Paul, "Quebec in North America : from a Borderlands to a Borderless Economy : an Examination of its Trade Flows with the U.S.A. at the National and Regional Levels", 24 pages.
- 9328 : Proulx, Pierre-Paul, "L'ALÉNA, le Québec et la mutation de son espace économique", 36 pages.
- 9329 : Sprumont, Yves, "Strategyproof Collective Choice in Economic and Political Environments", 48 pages.
- 9330 : Cardia, Emanuela et Steve Ambler, "The Cyclical Behaviour of Wages and Profits under Imperfect Competition", 24 pages.
- 9331 : Arcand, Jean-Louis L. et Elise S. Brezis, "Disequilibrium Dynamics During the Great Depression", 64 pages.
- 9332 : Beaudry, Paul et Michel Poitevin, "Contract Renegotiation : a Simple Framework and Implications for Organization Theory", 48 pages.
- 9333 : Dagenais, Marcel G. et Jean-Marie Dufour, "Pitfalls of Rescaling Regression Models with Box-Cox Transformations", 16 pages.
- 9334 : Bonomo, Marco et René Garcia, "Disappointment Aversion as a Solution to the Equity Premium and the Risk-Free Rate Puzzles", 40 pages.

- 9335 : Ghysels, Eric et Offer Lieberman, "Dynamic Regression and Filtered Data Series : A Laplace Approximation to the Effects of Filtering in Small Samples", 24 pages.
- 9336 : Kollmann, Robert, "The Duration of Unemployment as a Signal : Implications for Labor Market Equilibrium", 19 pages.
- 9337 : Kollmann, Robert, "Fertility, Consumption and Bequests in a Model with Non-Dynastic Parental Altruism", 22 pages.
- 9401 : Mercenier, Jean et Bernardin Akitoby, "On Intertemporal General-Equilibrium Reallocation Effects of Europe's Move to a Single Market", janvier 1994, 41 pages.
- 9402 : Gauthier, Céline et Michel Poitevin, "Using Ex Ante Payments in Self-Enforcing Risk-Sharing Contracts", février 1994, 38 pages.
- 9403 : Ghysels, Eric et Joanna Jasiak, "Stochastic Volatility and Time Deformation : an Application of Trading Volume and Leverage Effects", février 1994, 37 pages.
- 9404 : Dagenais, Marcel G. et Denyse L. Dagenais, "GMM Estimators for Linear Regression Models with Errors in the Variables", avril 1994, 33 pages.
- 9405 : Bronsard, C., Fabienne Rosenwald et Lise Salvas-Bronsard, "Evidence on Corporate Private Debt Finance and the Term Structure of Interest Rates", avril 1994, 42 pages.
- 9406 : Dinardo, John, Nicole M. Fortin et Thomas Lemieux, "Labor Market Institutions and the Distribution of Wages, 1973-1992 : A Semiparametric Approach", avril 1994, 73 pages.
- 9407 : Campbell, Bryan et Jean-Marie Dufour, "Exact Nonparametric Tests of Orthogonality and Random Walk in the Presence of a Drift Parameter", avril 1994, 32 pages.
- 9408 : Bollerslev, Tim et Eric Ghysels, "Periodic Autoregressive Conditional Heteroskedasticity", mai 1994, 29 pages.
- 9409 : Cardia, Emanuela, "The Effects of Government Financial Policies : Can We Assume Ricardian Equivalence?", mai 1994, 42 pages.
- 9410 : Kollmann, Robert, "Hidden Unemployment : A Search Theoretic Interpretation", mai 1994, 9 pages.
- 9411 : Kollmann, Robert, "The Correlation of Productivity Growth Across Regions and Industries in the US", juin 1994, 14 pages.
- 9412 : Gaudry, Marc, Benedikt Mandel et Werner Rothengatter, "Introducing Spatial Competition through an Autoregressive Contiguous Distributed (AR-C-D) Process in Intercity Generation-Distribution Models within a Quasi-Direct Format (QDF)", juin 1994, 64 pages.
- 9413 : Gaudry, Marc et Alexandre Le Leyzour, "Improving a Fragile Linear Logit Model Specified for High Speed Rail Demand Analysis in the Quebec-Windsor Corridor of Canada", août 1994, 39 pages.
- 9414 : Lewis, Tracy et Michel Poitevin, "Disclosure of Information in Regulatory Proceedings", juillet 1994, 38 pages.
- 9415 : Ambler, Steve, Emanuela Cardia et Jeannine Farazli, "Export Promotion and Growth", août 1994, 41 pages.

- 9416 : Ghysels, Eric et Haldun Sarlan, "On the Analysis of Business Cycles Through the Spectrum of Chronologies", août 1994, 37 pages.
- 9417 : Martel, Jocelyn et Timothy C.G. Fisher, "The Creditors' Financial Reorganization Decision : New Evidence from Canadian Data", août 1994, 21 pages.
- 9418 : Cannings, Kathy, Claude Montmarquette et Sophie Mahseredjian, "Entrance Quotas and Admission to Medical Schools : A Sequential Probit Model", septembre 1994, 26 pages.
- 9419 : Cannings, Kathy, Claude Montmarquette et Sophie Mahseredjian, "Major Choices : Undergraduate Concentrations and the Probability of Graduation", septembre 1994, 26 pages.
- 9420 : Nabeya, Seiji et Pierre Perron, "Approximations to Some Exact Distributions in the First Order Autoregressive Model with Dependent Errors", septembre 1994, 40 pages.
- 9421 : Perron, Pierre, "Further Evidence on Breaking Trend Functions in Macroeconomic Variables", octobre 1994, 50 pages.
- 9422 : Vogelsang, Timothy J. et Pierre Perron, "Additional Tests for a Unit Root Allowing for a Break in the Trend Function at an Unknown Time", novembre 1994, 57 pages.
- 9423 : Ng, Serena et Pierre Perron, "Unit Root Tests in ARMA Models with Data Dependent Methods for the Selection of the Truncation Lag", décembre 1994, 41 pages.
- 9424 : Perron, Pierre, "The Adequacy of Asymptotic Approximations in the Near-Integrated Autoregressive Model with Dependent Errors", décembre 1994, 37 pages.
- 9425 : Ghysels, Eric et Pierre Perron, "The Effect of Linear Filters on Dynamic Time Series with Structural Change", décembre 1994, 35 pages.
- 9426 : Boyer, Marcel, Jean-Jacques Laffont, Philippe Mahenc et Michel Moreaux, "Sequential Location Equilibria Under Incomplete Information", décembre 1994, 38 pages.